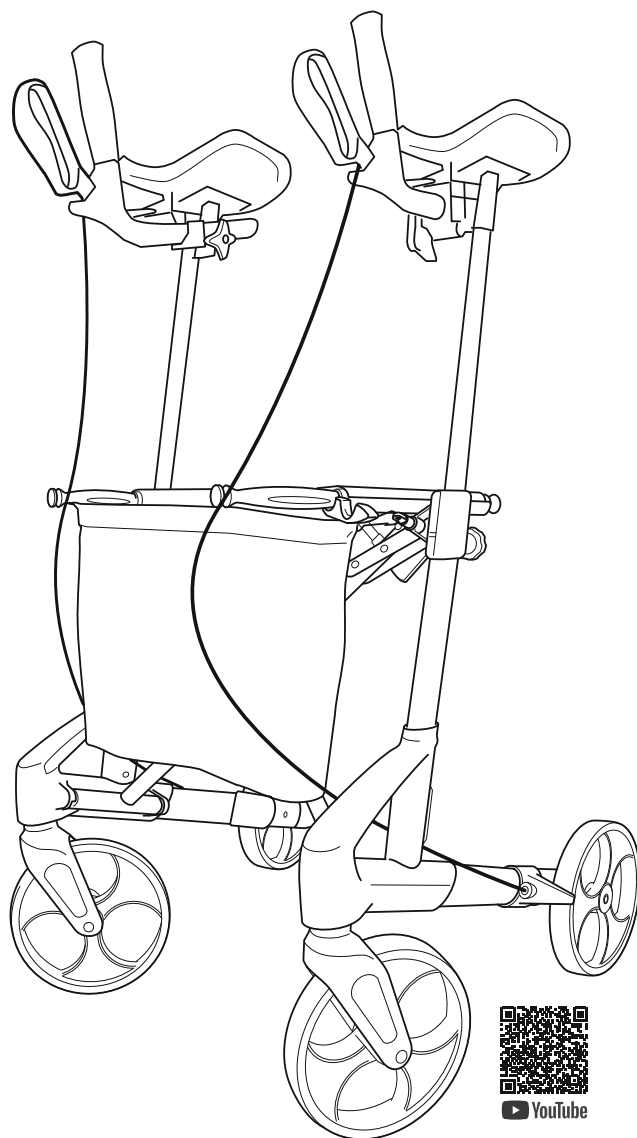


TOPRO

Instructions for use TOPRO Troja Walker²



topromobility.com

made in Norway



EN

Illustrations
 Measurements
 Technical data
 Article numbers

NO

Illustrasjoner
 Mål
 Tekniske data
 Artikkelnnummer

DE

Illustrationen
 Messungen
 Technische Daten
 Artikelnummern

NL

Illustraties
 Afmetingen
 Technische data
 Artikelnummers

SV

Illustrationer
 Mätningar
 Teknisk data
 Artikelnummer

DA

Illustrationer
 Mål
 Teknisk data
 Artikelnumre

FI

Kuvituskuvat
 Mitat
 Tekniset tiedot
 Artikkelinumerot

IS

Myndskreytingar
 Mælingar
 Tæknilegar upplýsingar
 Vörunúmer

FR

Illustrations
 Dimensions
 Données techniques
 Numéros d'article

IT

Illustrazioni
 Misure
 Dati tecnici
 Numeri di articolo

ES

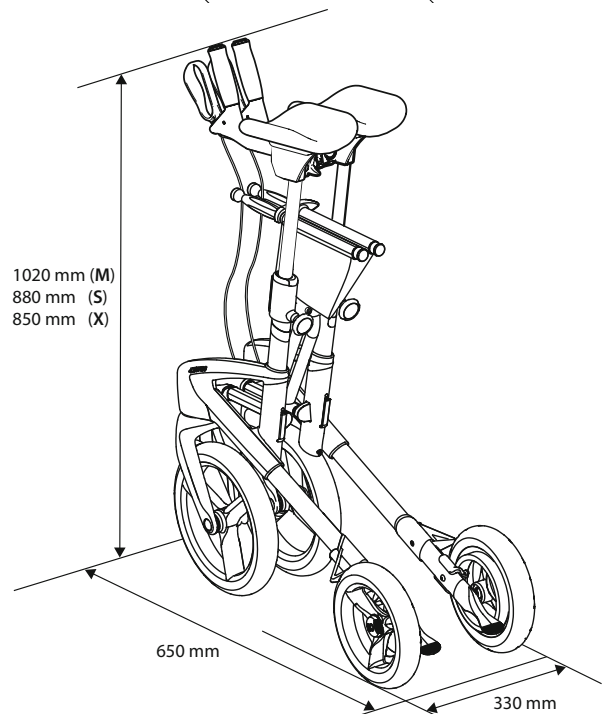
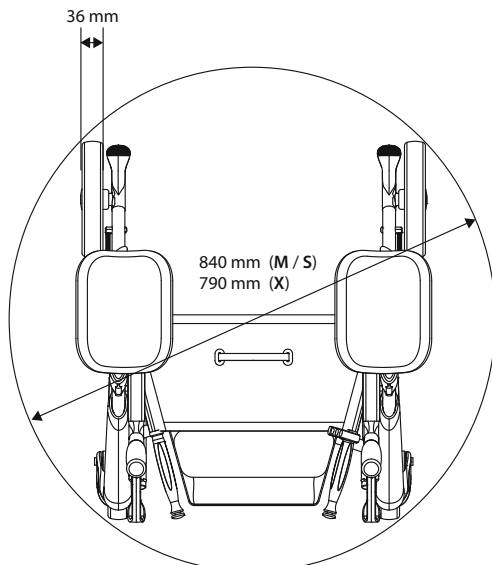
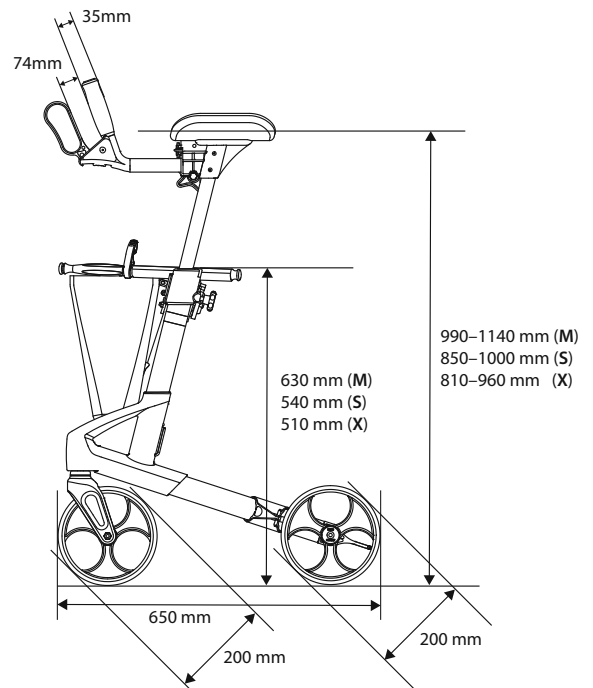
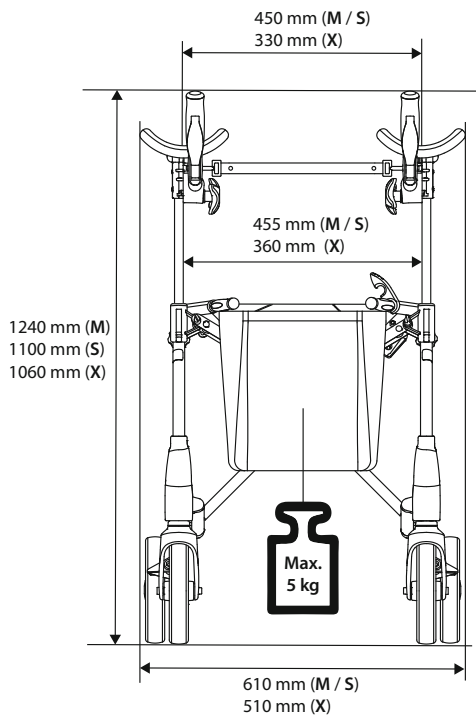
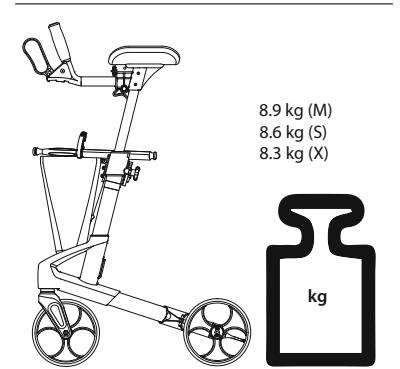
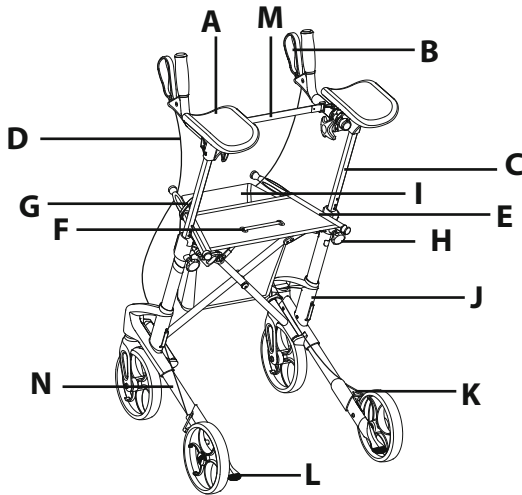
Ilustraciones
 Medidas
 Datos técnicos
 Números de artículo

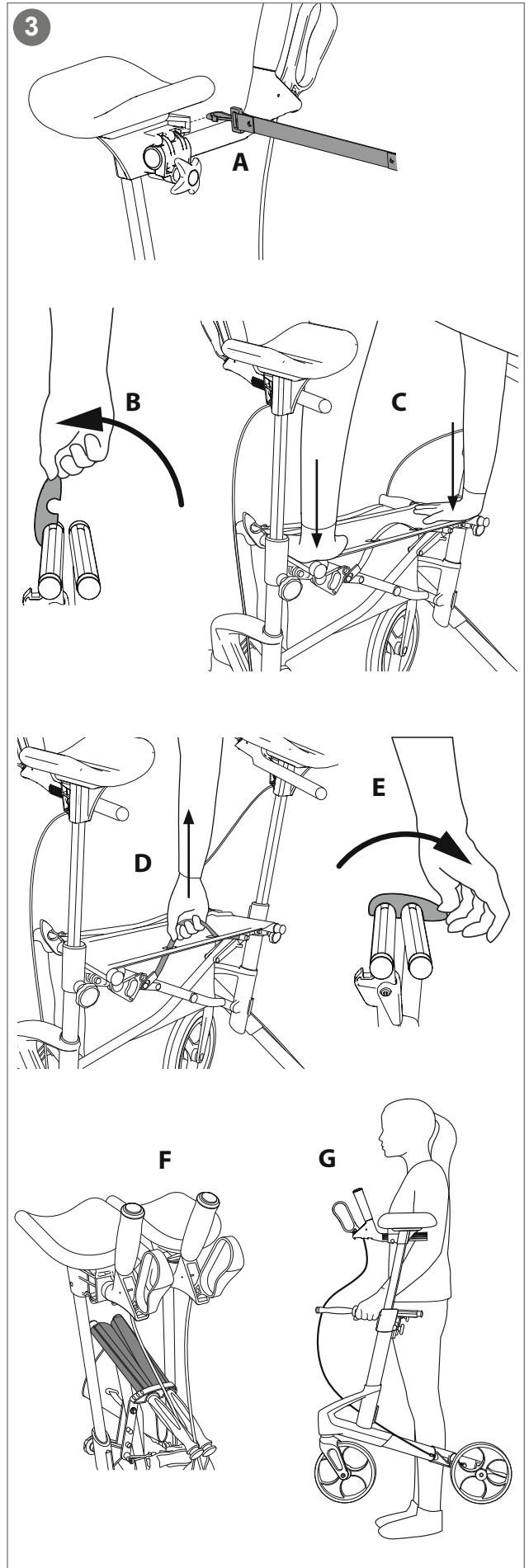
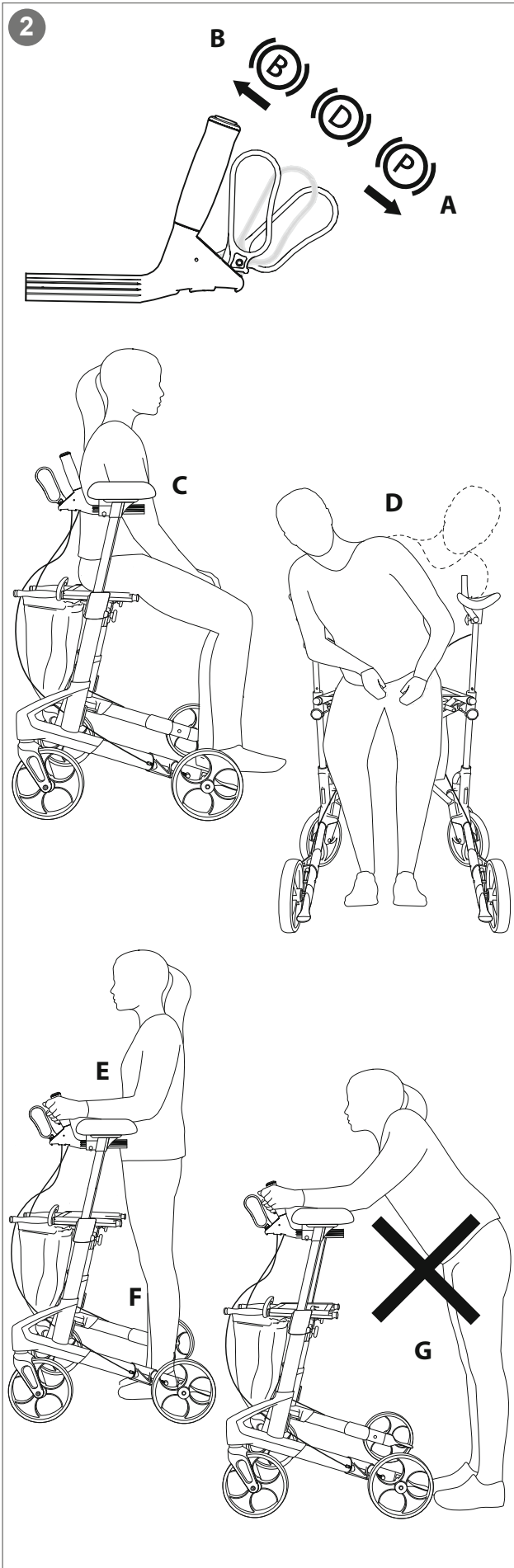
CS

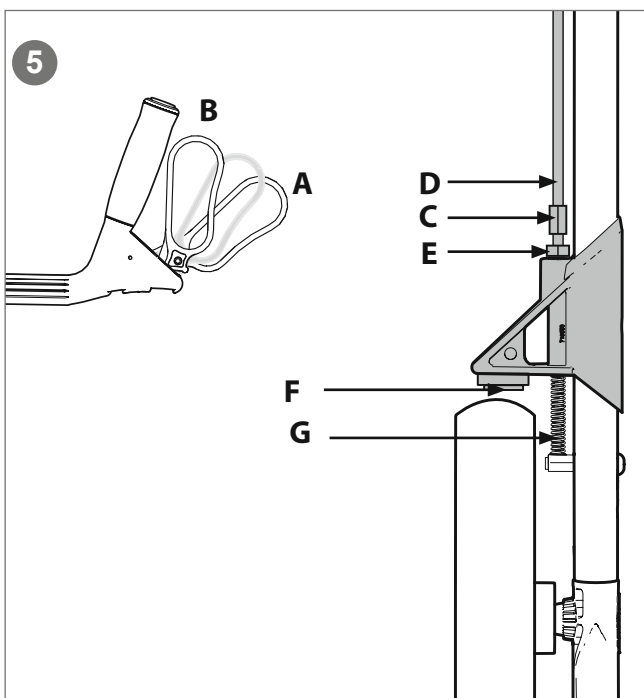
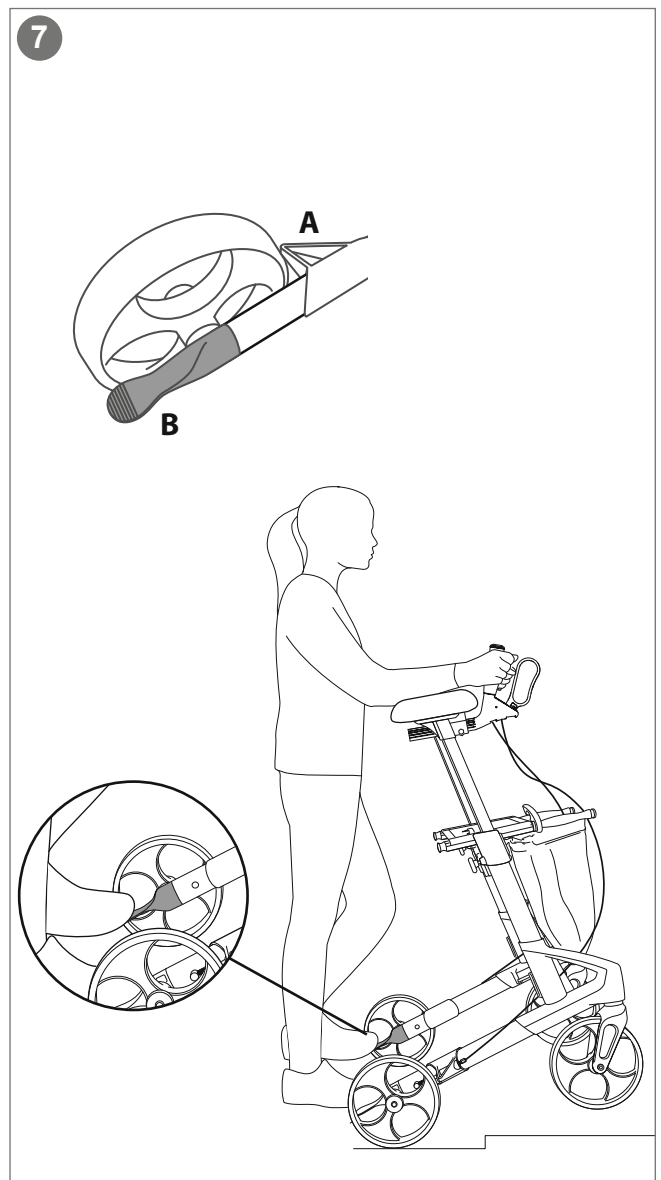
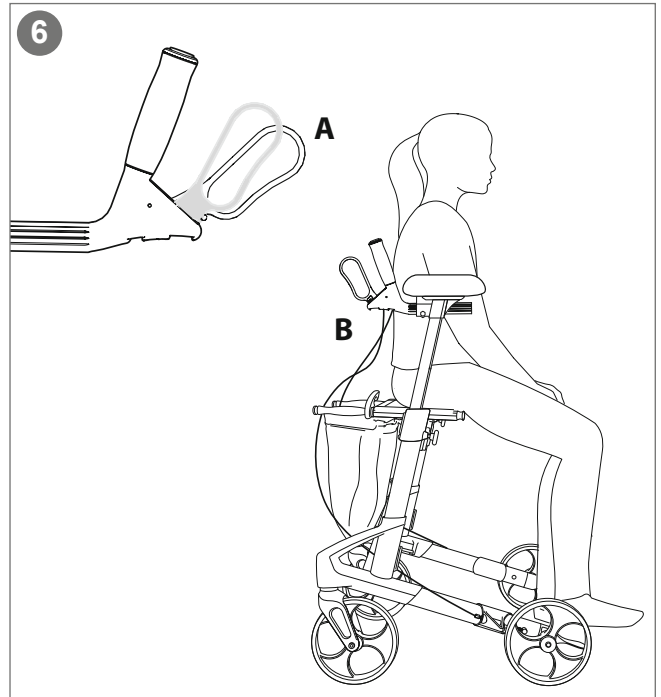
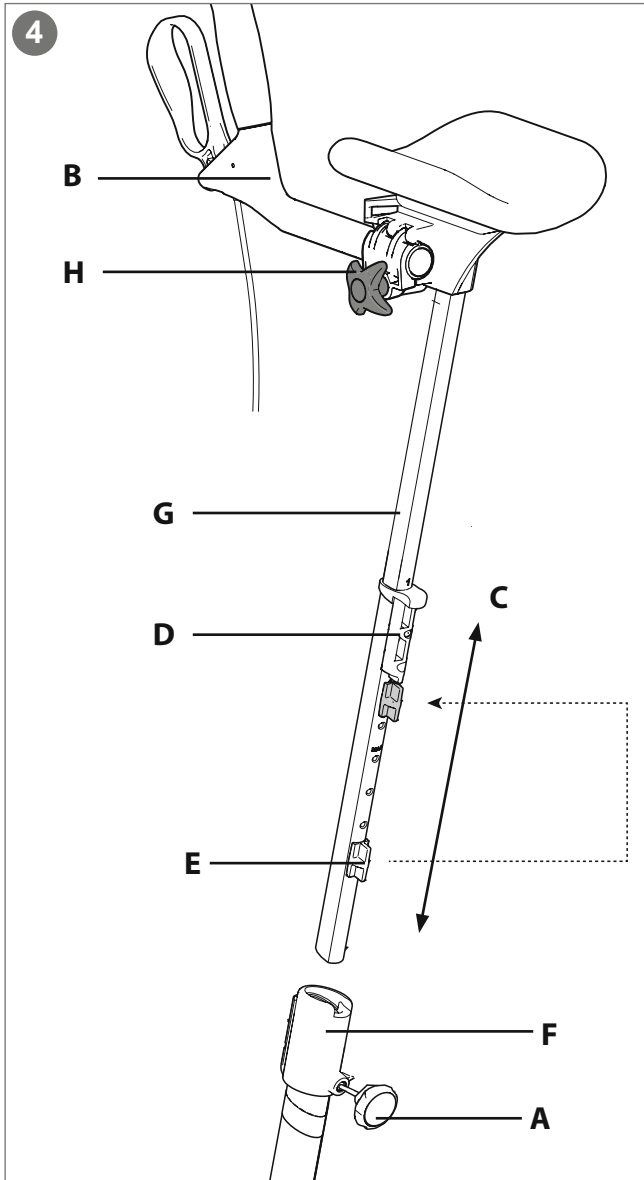
Ilustrace
 Měření
 Technické údaje
 Čísla článků

TOPRO Troja Walker ² M	815430
TOPRO Troja Walker ² S	815440
TOPRO Troja Walker ² X	815450

1







8



TOPRO Troja Walker² (M)

Model no. 815430

1 TOPRO Industri AS
Rambekkvegen 5, NO-2816 Gjøvik, Norway

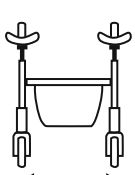
2021-12-14



Max 135kg



Max 650mm



Max 610mm

Max 1240mm



0000295477812



7054328154306



www.topromobility.com

9

10

11

13

2

12

14

3

4

5

6

7

8



TOPRO Troja Walker² (M)

Model no. 815430

1 TOPRO Industri AS
Rambekkvegen 5, NO-2816 Gjøvik, Norway

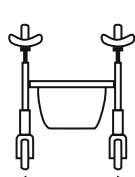
2021-12-14



Max 135kg

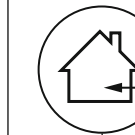


Max 650mm



Max 610mm

Max 1240mm



0000295477812



7054328154306



www.topromobility.com

9

10

11

13

12

2

14

3

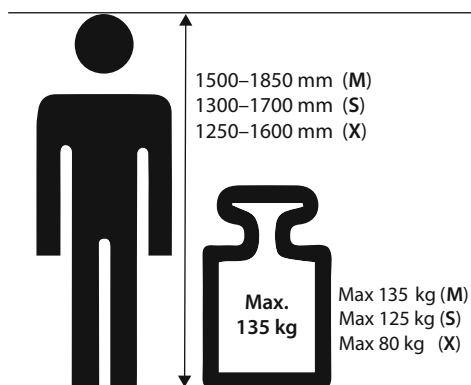
4

5

6

7

8



Congratulations with your choice of a new TOPRO walker

Every TOPRO forearm walker is developed, designed and manufactured in Norway. The product conforms to the Medical Device Regulation (EU) 2017/745. It is tested and approved according to EN ISO 11199-3:2005. On receipt of the goods, please check your product. If you have any queries, please contact your mobility shop or dealer immediately. If you have problems reading this user manual, an electronic version is available on topromobility.com.

Intended use

The TOPRO Troja Walker² shall give support to users with reduced balance and / or reduced walking ability. It is designed to be pushed, not pulled. The integrated seat provides an opportunity for the user to rest if needed. The intended user is an adult. Height and weight restrictions apply. *Contraindications: The product is not suitable for persons with low strength in arms, with very poor balance, or with considerable cognitive disabilities. The walker is designed and approved for indoor use on plain foundation.*

To get to know the walker and learn how to use it correctly, training by a skilled person is advised.

0 The grey numbered circles in this user manual refers to the numbered information graphic and illustrations inside the cover

1 Get to know your TOPRO product

- | | |
|--|------------------------------------|
| A Forearm support | H Lock wheel for the handle |
| B Brake lever | I Basket |
| C Handle tube | J Side frame |
| D Brake cable | K Brake block / Edge guard |
| E Seat bars / carrying handle | L Tilting function |
| F Seat with strap for folding mechanism | M Supporting cord |
| G Locking clamp | N Product label |

2 Safety

When folding and unfolding, be aware so you do not hurt your fingers.

Be aware not to put your fingers in open holes or between stationary parts.

Make sure that the lock wheel for height adjustment for the handles is locked tight.

When stationary or parked, make sure the parking brakes on both sides are activated (A).

Do not use the walker on stairs. Be careful when passing thresholds etc.

Check the brakes before use every time, and that the walker locks in unfolded position.

Do not use the device to transport heavy loads or persons.

Be aware that some parts of the walker might feel hot or cold when exposed to extreme temperatures.

Do not modify the product as this might put your safety at risk and the guarantee will become void.

Before sitting on the seat (C), make sure the parking brakes on both sides are activated (A).

To avoid the risk of falling, do not lean or bend sideways or over the back of the walker whilst in the seated position (D). Do not tilt the walker too much sideways, to avoid the risk of falling. For the same reason, bags etc. must never be hung on the handlebars.

To give the right support and safety, walk straight and make sure the walker is kept as close to your body as possible (E). Walk between the rear wheels (F), not behind them (G).

Be aware that the walker may roll faster than you when walking downhill, which may put you in risk of falling. Activate the driving brakes to adjust the speed (B).

Be careful when wearing fluttering skirts or trousers as they could get caught in the wheels, which could lead to falling. Wear sturdy footwear to avoid injuries.

Do not use the walker on slippery surfaces.

Keep the walker away from fire and hot items.

Do not climb on the walker.

3 Unfolding / Folding

Unfolding: Loosen the strap between the forearm supports (A) (not applicable for the walker in size X). Release the lock clamp positioned at the seat bars (B). Press the seat bars down and outwards (C). The side frames will slide apart. Press down the seat bars. You will hear a clicking sound. The walker is now locked in its open position. Fasten the strap (A).

Folding: Loosen the strap between the forearm supports (A). Pull the strap on the seat (D) and press the side frames together. Lock the clamp (E) over the seat bars.

Carrying the walker: The walker must not be carried by the seat strap or the brake wires. Fold the walker together as shown on the illustration (F). Carry the walker by the seat bars when the walker is folded (G).

4 Forearm supports / Handles / Memory function

Height adjusting: Unscrew the lock wheel (A) (approx. 2 turns). Adjust the forearm support tube to a suitable height then pull it slightly up and down (C) until you hear a clicking sound. Tighten the lock wheel (A). Adjust both tubes to the same height.

Recommended height: Stand between the rear wheels. Relax your shoulders and hold your elbows in a 90-degree angle. The level of the forearm supports should be fixed at the level of your elbows. A professional should help you with the adjustment of the forearm supports and the handles, to help ensure correct posture.

Adjusting the handles: Unscrew the lock wheel (H). You can now pull the handle (B) backwards or push it forward. It is also possible to adjust the angle of the handle. After adjusting the handle to the desired position, tighten the lock wheel (H) again. Be careful when unscrewing / tightening the lock wheel to avoid hurting your fingers.

Memory function: Decide on the height of the forearm support tube. Count visible holes at the back of the handle tubes (G). Unscrew the lock wheel (A). Pull the tube (G) out of the frame. The fastening piece (D) will now follow the handle tube. Move the fastening piece (D) so that the number of holes above it equals to the previously counted holes. Fit the red memory chip (E) on the tube in the first available hole under the fastening piece (D). Push the tube (G) and the fastening piece (D) downwards and into the side frame (F). Screw the lock wheel (A) halfway in. Pull the tube (G) up until it stops, and then tighten the lock wheel (A) properly. From now on, when the handle tubes are in the lowest position, they will stop in the pre-set position when pulled up.

5 Brakes

Make sure the brakes are working before every trip. Each brake lever (A) works on each of the rear wheels.

Do not drive or push the walker while the parking brakes are activated!

Parking brakes: Push the brake levers forward (A) to activate the parking brakes. Be aware that the lever has some resistance before it stops and locks the rear wheel. Pull the brake levers backwards to release the parking brakes.

Driving brakes: Pull the brake levers towards you (B) to reduce speed. *Do not use continuously while the walker is in motion.*

Adjusting / checking: Loosen the nut (C). Tighten the brake cable (D) with the adjustment screw (E). Adjust both brake blocks (F) so the distance to the wheel surface is approximately 1 mm and then tighten the nut (C). Make sure the brakes are not adjusted too tight and pressing hard into the rubber of the wheels when the parking brake is activated.

Maintaining: Clean the brake block (F) and the brake spring (G) regularly. The wheels and brakes can be replaced if they are worn out or damaged.

6 Seat

The walker has a safe and convenient net seat, through which you have a view to the ground while walking. It can easily be wiped with a cloth if needed. The parking brakes must be activated before using the seat. Push both brake levers forward until they lock (A). Both rear wheels are now locked. Sit with your back towards the basket (B).

7 Edge guard / Tilt function

Edge guard: The brake blocks (A), which are in front of the rear wheels prevent the rear wheels from catching on corners, door frames etc.

Tilt function: To use the tilt function use the front of the foot and press down on the tilt pedal (B), which is beside the rear wheel. This helps to tilt the walker over thresholds, edges etc. Please note: Be careful when passing thresholds etc.

Basket

The basket holds up to 5 kilos. It can be removed and washed gently at 60 °C.

Transport

The walker should be transported in the folded and locked position (see section *Unfolding / Folding*). Ensure that the lock clamp is on, so that the walker cannot unfold unintentionally. Be careful when loading the walker into a vehicle, giving attention to securing it.

Storage

The walker should be stored in an upright position. If stored outdoors, then under cover to protect it. Do not leave your walker unattended. Do not put heavy items on top of the walker during storage.

Cleaning

The walker can be cleaned using a damp cloth. In case of mud and grime accumulation, a cloth with a mild washing detergent can be used followed by rinsing with lukewarm water. Do not use high pressure cleaners and avoid flushing directly against ball bearings (in wheels and front forks). Do not use abrasives or steam wash. Dry the walker using a soft cloth.

Disinfection

Disinfection must only be carried out by authorized personnel. Please contact your local dealer or mobility aid centre. During disinfection sufficient protective equipment must be worn, and the instructions of the disinfectant manufacturer must be followed. The surface of the walker should be cleaned with a soft cloth or sponge and an approved chemical disinfectant containing 70–80 % ethanol. We advise against disinfectant that contains chlorine or phenol. Do not use heat disinfection. *The manufacturer cannot be held responsible for any damage or injuries that might occur using harmful disinfectant/measures or disinfection carried out by unauthorized personnel.*

Inspection / Maintenance / Re-use

It is recommended that inspection and maintenance are carried out regularly (frequency is determined by how and how often the walker is used). Check the following items: Frame, screws, tubes, handles, forearm supports, brakes, brake parts, wheels, seat and accessories. This also applies when the walker is to be prepared for re-use. Please see detailed instructions in this user manual about maintenance of brakes and cleaning / disinfection. The recommended maintenance is not a requirement, and no preventive maintenance is required provided that the walker is used as intended according to this user manual.

Material / Recycling

The walker is made of plastic-coated aluminium tubes, plastic couplings and material made of plastic and polyester. There are ball bearings in all wheels and forks. Most parts can be recycled. Dispose the walker and its packaging according to the applicable regulations in your country. For information, please contact your public authorities.

Warranty

TOPRO Troja Walker² is guaranteed free for faults and defects for 7 years. Damage caused by incorrect use or parts that are exposed to natural wear and tear (e.g. brake block, brake cable, wheel, basket, seat and grip) are exempt from the 7-year warranty. For repairs during the warranty period, please contact your local mobility shop or dealer. The warranty is void if unauthorised spare parts or accessories have been or are being used on the product. The expected life span of the product is estimated to be 10 years, if it is used in the correct manner according to this user manual and its safety and maintenance instructions.

8 Product label

- 1 - Manufacturer
- 2 - Consult Instructions for use (blue icon on the new label)
- 3 - Model name
- 4 - Model number
- 5 - Date of manufacture
- 6 - Serial number
- 7 - Global Trade Item Number
- 8 - GS1 DataMatrix
- 9 - Maximum user weight
- 10 - Maximum length of walker
- 11 - Maximum width / height of walker
- 12 - Intended for indoor use
- 13 - Medical Device
- 14 - CE marking (This product conforms to Medical Device Regulation (EU) 2017/745)

Accessories

	TOPRO Item No.
Back support	814765
Tray (NB: not for size X)	814728
Anti-slip mat for tray (NB: not for size X)	814059
Crutch holder	815358
Bottle holder	814043
Stabilizer bar (size M / S)	814729
Stabilizer bar (size X)	814730
One-handed brake	814026
Guiding handle for the visually impaired	814014
Rear bag with zipper (NB: not for size X)	814046
Name tag	814024
Roll Resistance System (RRS), pair	814032
Basket for oxygen bottle (only compressed, not liquid)	814009

Accessories mounted on the walker may influence stability, we therefore advise you to use them with care. The accessories can be ordered separately to enable a TOPRO Troja Walker² to be customised to individual needs. Contact your mobility shop, dealer or TOPRO for an updated overview of the accessories or visit our homepage topromobility.com.

Gratulerer med valget av et nytt TOPRO gåbord

Hvert TOPRO-gåbord er utviklet, designet og produsert i Norge. Produktet er i samsvar med forordningen om medisinsk utstyr (EU) 2017/745. Det er testet og godkjent i henhold til EN ISO 11199-3:2005. Ved mottak av varen, vennligst sjekk produktet ditt. Hvis du har spørsmål, kontakt din forhandler umiddelbart. Hvis du har problemer med å lese denne brukerhåndboken, er en elektronisk versjon tilgjengelig på topromobility.com.

Tiltenkt bruk

TOPRO Troja Walker² skal gi støtte til brukere med redusert balanse og/eller redusert gangevne. Den er designet for å skyves, ikke trekkes. Det integrerte setet gir brukeren muligheten til å hvile om nødvendig. Den tiltenkte brukeren er voksen. Høyde- og vektbegrensninger gjelder. *Kontraindikasjoner: Produktet er ikke egnet for personer med lav styrke i armene, med svært dårlig balanse eller med betydelig kognitiv funksjonshemming. Gåbordet er designet og godkjent for innendørs bruk på vanlig fundament.*

For å bli kjent med gåbordet og lære å bruke det riktig, anbefales opplæring av en profesjonell.

0 De grå nummererte sirklene i denne brukerhåndboken refererer til den nummererte informasjonsgrafikken og illustrasjonene inne i omslaget

1 Bli kjent med TOPRO-produktet ditt

A Underarmsstøtte	H Låseratt for høydejustering
B Bremseshendel	I Nettkurv
C Håndtaksrør	J Sideramme
D Bremssekabel	K Bremskloss / Kantavviser
E Setestenger / Bærehåndtak	L Vippefunksjon
F Sete med utløserstropp for foldemekanisme	M Støttesnor
G Låseklemme	N Produktetikett

2 Sikkerhet

Når du folder sammen/folder ut gåbordet, vær oppmerksom slik at du ikke skader fingrene.

Vær oppmerksom på å ikke sette fingrene i åpne hull eller mellom stasjonære deler.

Pass på at låserattet for høydejustering av underarmsstøttene er fastskrudd.

Når du står stille eller parkerer, må du sørge for at parkeringsbremsene på begge sider er aktivert (A).

Ikke bruk gåbordet i trapper. Vær forsiktig når du passerer terskler etc.

Kontroller bremsene før hver bruk, og at gåbordet låses i utfoldet stilling.

Ikke bruk gåbordet til å transportere tung last eller personer.

Vær oppmerksom på at noen deler av gåbordet kan føles varme eller kalde når de utsettes for ekstreme temperaturer.

Produktet må ikke modifiseres, da dette kan sette din sikkerhet i fare, og garantien vil bli ugyldig.

Før du setter deg på setet (C), må du kontrollere at parkeringsbremsene på begge sider er aktivert (A).

For å redusere risikoen for fall, må du ikke lene deg eller bøye deg sidelengs eller over til baksiden av gåbordet, mens du sitter (D). Ikke vipp gåbordet for mye sidelengs, for å unngå at det velter. Av samme grunn må poser etc. aldri henges på underarmsstøttene eller håndtakene.

For å gi riktig støtte og sikkerhet, gå rett og sørg for at gåbordet holdes så nær kroppen din som mulig (E). Gå mellom bakhjulene (F), ikke bak dem (G).

Vær oppmerksom på at gåbordet kan rulle raskere enn deg når du går nedoverbakke, noe som kan sette deg i fare for å falle. Aktiver kjørebremser for å justere hastigheten (B).

Vær forsiktig når du bruker flagrende skjørt og bukser, da de kan bli sittende fast i hjulene, noe som kan føre til fall. Bruk solid fottøy for å unngå skader.

Ikke bruk gåbordet på glatte overflater.

Hold gåbordet unna ild og varme gjenstander.

Ikke klatre på gåbordet.

3 Utfolding / Sammenfolding

Utfolding: Løsne stroppen mellom underarmsstøttene (A) (gjelder ikke for gåbordet i størrelse X). Løsne låseklemmen som er plassert på setestengene (B). Trykk setestengene ned og utover (C). Siderammene glir fra hverandre. Trykk ned setestengene. Du vil høre en klikkelyd. Gåbordet er nå låst i åpen stilling. Fest stroppen (A).

Sammenfolding: Løsne stroppen mellom underarmsstøttene (A). Trekk i stroppen på setet (D) og trykk siderammene sammen. Lås klemmen (E) over setestengene.

Bære gåbordet: Gåbordet må ikke bæres i utløserstroppen eller bremsekablene. Fold gåbordet sammen som vist på illustrasjonen (F). Bær gåbordet etter setestengene (G) når det er sammenfoldet.

4 Underarmsstøtter / Håndtak / Minnefunksjon

Høydejustering: Skru av låserattet (A) (ca. 2 omdreininger). Juster underarmsstøtterørene til en passende høyde, og trekk dem deretter litt opp og ned (C) til du hører en klikkelyd. Skru på låserattet (A) igjen. Juster begge rørene til samme høyde.

Anbefalt høyde: Stå mellom bakhjulene. Slapp av i skuldrene og hold albue i 90-graders vinkel. Høyden på underarmsstøttene skal være på høyde med albue. En profesjonell bør hjelpe deg med justering av armstøttene og håndtakene, for å sikre riktig holdning.

Justering av håndtakene: Løsne låserattet (H). Du kan nå trekke håndtaket (B) bakover eller skyve det fremover. Det er også mulig å justere vinkelen på håndtaket. Når du har justert håndtaket til ønsket posisjon, strammer du låserattet (H) igjen. Vær forsiktig når du løsner / strammer låsehjulet for å unngå å skade fingrene.

Minnefunksjon: Bestem høyden på underarmsstøttene (se tallskala). Tell synlige hull på baksiden av håndtaksrørene (G). Skru av låserattet (A). Trekk røret (G) ut av rammen. Festestykket (D) vil nå følge håndtaksrøret. Beveg festestykket (D) slik at antall hull over det tilsvarer de tidligere telte hullene. Monter den røde minnebrikken (E) på røret i det første tilgjengelige hullet under festestykket (D). Skyv røret (G) og festestykket (D) nedover og inn i siderammen (F). Skru låserattet (A) halvveis inn. Trekk røret (G) opp til det stopper, og stram deretter låserattet (A) ordentlig. Fra nå av, når håndtaksrøret er i laveste posisjon, vil det stoppe på forhåndsinnstilt høyde når det trekkes opp.

5 Bremses

Pass på at bremsene fungerer før hver tur. Hver bremsehendel (A) fungerer på hvert av bakhjulene. *Ikke kjør eller skyv gåbordet mens parkeringsbremsene er i bruk!*

Parkeringsbremses: Skyv begge bremsehendlene forover (A) for å aktivere parkeringsbremsene. Vær oppmerksom på at hendelen har en viss motstand før den stopper og låser bakhjulet. Trekk bremsehendlene bakover for å løsne parkeringsbremsene.

Bremses: Trekk bremsehendlene mot deg (B) for å redusere hastigheten. *Må ikke brukes kontinuerlig mens gåbordet er i bevegelse.*

Justering/kontroll: Løsne mutteren (C). Stram bremsekabelen (D) med justeringsskruen (E). Juster begge bremseklossene slik at avstanden til hjuloverflaten er ca. 1 mm (F), og stram deretter mutteren (C). Pass på at bremsene ikke er justert for stramt og presser hardt inn i gummien på hjulene når parkeringsbremsen er aktivert.

Vedlikehold: Rengjør bremseklossen (F) og bremsefjæren (G) ofte. Hjulene og bremsene kan byttes ut hvis de er utslitte eller skadet.

6 Sete

Gåbordet har et trygt og praktisk nettsete, hvor du har utsikt til bakken mens du går. Det kan lett tørkes med en fuktig klut om nødvendig. Parkeringsbremsene må være aktivert før setet tas i bruk. Skyv begge bremsehendlene forover til de låses (A). Begge bakhjulene er nå låst. Sitt med ryggen mot kurven (B).

7 Kantavviser / Vippefunksjon

Kantavviser: Kantavviser (A), som er foran bakhjulene hindrer bakhjulene i å fange på hjørner, dørkarmen etc.

Vippefunksjon: For å bruke vippefunksjonen, bruk forsiden av foten og trykk ned på vippepedalen (B), som er ved siden av bakhjulet. Dette bidrar til å vippe gåbordet over terskler, kanter etc. Merk: Vær forsiktig når du passerer terskler etc.

Kurv

Kurven rommer opp til 5 kilo. Den kan fjernes og vaskes forsiktig ved 60 °C.

Transport

Gåbordet skal transporteres i sammenfoldet og låst posisjon (*se avsnitt Utfolding / sammenfolding*). Pass på at låseklemmen er på, slik at gåbordet ikke kan utfolde seg utilsiktet. Vær forsiktig når du laster gåbordet inn i et kjøretøy, og vær oppmerksom på å sikre det.

Lagring

Gåbordet bør oppbevares stående. Hvis det oppbevares utendørs, må det helst være under et tak/dekke for å beskytte det. Ikke la gåbordet stå uten tilsyn. Ikke legg tunge gjenstander oppå gåbordet under lagring.

Renhold

Gåbordet kan rengjøres med en fuktig klut. Ved opphopning av gjærme og smuss kan en klut med mildt vaskemiddel brukes etterfulgt av skylling med lunkent vann. Ikke bruk høytrykksvaskere og unngå å skylle direkte mot kulelagre (i hjul og forgafler). Ikke bruk slipemidler eller dampvask. Tørk gåbordet med en myk klut.

Desinfeksjon

Desinfeksjon må kun utføres av autorisert personell. Ta kontakt med din lokale forhandler eller hjelpemiddelsentral. Under desinfeksjon må tilstrekkelig verneutstyr brukes, og instruksjonene fra desinfeksjonsmiddelprodusenten må følges. Overflaten på gåbordet kan rengjøres med en myk klut eller svamp og et godkjent kjemisk desinfeksjonsmiddel som inneholder 70–80% etanol. Vi fraråder desinfeksjonsmiddel som inneholder klor eller fenol. Ikke bruk varmedesinfeksjon. *Produsenten kan ikke holdes ansvarlig for feil eller skader som kan oppstå ved bruk av skadelig desinfeksjonsmiddel/-metoder eller desinfeksjon utført av uautorisert personell.*

Inspeksjon / Vedlikehold / Gjenbruk

Det anbefales at inspeksjon og vedlikehold utføres regelmessig (frekvensen bestemmes av hvordan og hvor ofte gåbordet brukes). Kontroller følgende elementer: Ramme, skruer, rør, håndtak, underarmsstøtter, bremses, bremsedeler, hjul, sete og tilbehør. Dette gjelder også når gåbordet skal klargjøres for gjenbruk. Se detaljerte instruksjoner i denne bruksanvisningen om vedlikehold av bremses og rengjøring/desinfeksjon. Det anbefalte vedlikeholdet er ikke et krav, og det er ikke nødvendig med forebyggende vedlikehold, forutsatt at gåbordet brukes som det skal i henhold til denne bruksanvisningen.

Materiale / Resirkulering

Gåbordet er laget av plastbelagte aluminiumsrør, plastkoblinger og materiale laget av plast og polyester. Det er kulelagre i alle hjul og gafler. De fleste deler kan resirkuleres. Kast gåbordet og emballasjen i henhold til gjeldende forskrifter i ditt land. Hvis du ønsker mer informasjon, vennligst kontakt offentlige myndigheter.

Garanti

TOPRO Troja Walker² er garantert fri for feil og mangler i 7 år. Skader forårsaket av feil bruk eller deler som utsettes for naturlig slitasje (f.eks. bremsekloss, bremsekabel, hjul, kurv, sete og håndtak) er unntatt fra 7-års garantien. For reparasjoner i garantiperioden, ta kontakt med din mobilitetsbutikk eller forhandler. Garantien bortfaller hvis uautoriserte reservedeler og tilbehør har blitt eller brukes på produktet. Produktets forventede levetid er anslått til 10 år, forutsatt at det brukes på riktig måte i henhold til denne bruksanvisningen og dens sikkerhets- og vedlikeholdsinstruksjoner.

8 Produktetikett

- 1 - Fabrikant
- 2 - Se bruksanvisningen (blått ikon på den nye etiketten)
- 3 - Navn på modell
- 4 - Modellnummer
- 5 - Produksjonsdato
- 6 - Serienummer
- 7 - Varenummer for global handel
- 8 - GS1 DataMatrix
- 9 - Maksimal brukervekt
- 10 - Maksimal lengde på gåbordet
- 11 - Maksimal bredde / høyde på gåbordet
- 12 - Beregnet for innendørs bruk
- 13 - Medisinsk utstyr
- 14 - CE-merke (Dette produktet er i samsvar med forordningen om medisinsk utstyr (EU) 2017/745)

Tilbehør

	TOPRO Item No.
Ryggstøtte	814765
Brett (NB: ikke for størrelse X)	814728
Antisklimatte for brett (NB: ikke for størrelse X)	814059
Krykkeholder	815358
Flaskeholder	814043
Avstiverstag (størrelse M / S)	814729
Avstiverstag (størrelse X)	814730
Enhåndsbremse	814026
Styrehåndtak for ledsager til synshemmede	814014
Veske bak, med glidelås (NB: ikke for størrelse X)	814046
Navneskilt	814024
Rullestolstandssystem (RMS), par	814032
Kurv for oksygenflaske (kun komprimert, ikke flytende)	814009

Tilbehør montert på gåbordet kan påvirke stabiliteten, vi anbefaler derfor at du bruker dem med forsiktighet. Tilbehøret kan bestilles separat for å gjøre det mulig å tilpasse TOPRO Troja Walker² til individuelle behov. Ta kontakt med din mobilitetsbutikk, forhandler eller TOPRO for en oppdatert oversikt over tilbehøret eller besøk vår hjemmeside [topromobility.com](https://www.topromobility.com).

Herzlichen Glückwunsch zur Wahl eines neuen TOPRO Gehwagens

Jeder TOPRO-Gehwagen wird in Norwegen entwickelt, entworfen und hergestellt. Das Produkt entspricht der Medizinprodukteverordnung (EU) 2017/745. Es ist nach EN ISO 11199-3:2005 geprüft und zugelassen. Bei Erhalt der Ware überprüfen Sie bitte Ihr Produkt. Bei Fragen wenden Sie sich bitte umgehend an Ihr Sanitätshaus oder Ihren Händler. Wenn Sie Probleme beim Lesen dieser Gebrauchsanweisung haben, ist eine elektronische Version auf topromobility.com verfügbar.

Verwendungszweck

Der TOPRO Troja Walker² soll Benutzer mit eingeschränktem Gleichgewicht und / oder verminderter Gehfähigkeit unterstützen. Er ist so konzipiert, dass er geschoben und nicht gezogen wird. Der integrierte Sitz bietet dem Benutzer die Möglichkeit, sich bei Bedarf auszuruhen. Der vorgesehene Benutzer ist ein Erwachsener. Es gelten Größen- und Gewichtsbeschränkungen. *Kontraindikationen: Das Produkt ist nicht für Personen mit geringer Kraft in den Armen, mit sehr schlechtem Gleichgewicht oder mit erheblichen kognitiven Einschränkungen geeignet. Der Gehwagen ist für den Innenbereich auf ebenem Untergrund konzipiert und zugelassen.*

Um den Walker kennenzulernen und zu lernen, wie man ihn richtig benutzt, wird eine Schulung durch einen Fachmann empfohlen

0 Die grauen, nummerierten Kreise in dieser Gebrauchsanweisung beziehen sich auf die nummerierten Informationsgrafiken und Abbildungen im Innenteil des Umschlags.

1 Lernen Sie Ihr TOPRO-Produkt kennen

- | | |
|--|--------------------------------------|
| A Unterarmstütze | H Verschlussrad für den Griff |
| B Bremshebel | I Korb |
| C Griffrohr | J Seitenrahmen |
| D Bremskabel | K Bremsblock / Kantenabweiser |
| E Sitzstangen / Tragegriff | L Ankipphilfe |
| F Sitz mit Greifsnur für Klappmechanismus | M Stützleine |
| G Verriegelungsklemme | N Produktetikett |

2 Sicherheit

Achten Sie beim Falten und Entfalten darauf, dass Sie sich nicht die Finger verletzen.

Achten Sie darauf, Ihre Finger nicht in offene Löcher oder zwischen stationäre Teile zu stecken.

Stellen Sie sicher, dass das Verschlussrad zur Höhenverstellung der Griffe fest verriegelt ist.

Stellen Sie beim Stehen oder Parken sicher, dass sich die Feststellbremsen auf beiden Seiten in einer verriegelten Position (A) befinden.

Verwenden Sie den Gehwagen nicht auf Treppen. Seien Sie vorsichtig beim Überwinden von Schwellen usw.

Überprüfen Sie die Bremsen jedes Mal vor dem Gebrauch und vergewissern Sie sich, dass der Gehwagen in aufgeklappter Position einrastet.

Verwenden Sie das Gerät nicht zum Transport schwerer Lasten oder Personen.

Beachten Sie, dass sich einige Teile des Walkers heiß oder kalt anfühlen können, wenn sie extremen Temperaturen ausgesetzt sind.

Ändern Sie das Produkt nicht, da dies Ihre Sicherheit gefährden könnte und die Garantie erlischt.

Bevor Sie sich auf den Sitz (C) setzen, stellen Sie sicher, dass sich die Feststellbremsen auf beiden Seiten in der verriegelten Position (A) befinden.

Um die Gefahr eines Sturzes zu vermeiden, lehnen oder beugen Sie sich nicht seitlich oder über die Rückseite des Gehwagens, während Sie auf ihm sitzen (D). Kippen Sie den Gehwagen nicht zu stark zur Seite, um die Gefahr eines Sturzes zu vermeiden. Aus dem gleichen Grund dürfen Taschen etc. niemals an den Griffen aufgehängt werden.

Gehen Sie gerade und achten Sie darauf, dass der Gehwagen so nah wie möglich an Ihrem Körper gehalten wird (E), um den richtigen Halt und die Sicherheit zu gewährleisten. Gehen Sie zwischen den Hinterrädern (F), nicht hinter ihnen (G).

Seien Sie sich bewusst, dass der Walker bei abschüssigem Untergrund schneller rollen kann als Sie laufen, was Sie in die Gefahr eines Sturzes bringen kann. Aktivieren Sie die Fahrbremsen, um die Geschwindigkeit anzupassen (B).

Seien Sie vorsichtig, wenn Sie flatternde Röcke und Hosen tragen, da sie sich in den Rädern verfangen können, was zu Stürzen führen könnte. Tragen Sie festes Schuhwerk, um Verletzungen zu vermeiden.

Verwenden Sie den Gehwagen nicht auf rutschigen Oberflächen.

Halten Sie den Gehwagen von Feuer und heißen Gegenständen fern.

Klettern Sie nicht auf den Gehwagen.

3 Entfalten / Falten

Entfaltung: Lösen Sie die Leine zwischen den Unterarmstützen (A) (gilt nicht für den Walker in Größe X). Lösen Sie die an den Sitzstangen (B) positionierte Verriegelungsklemme. Drücken Sie die Sitzstangen nach unten und nach außen (C). Die Seitenrahmen gleiten auseinander. Drücken Sie die Sitzstangen nach unten. Sie hören ein Klickgeräusch. Der Walker ist nun in seiner offenen Position verriegelt. Befestigen Sie die Leine (A).

Falten: Lösen Sie die Leine zwischen den Unterarmstützen (A). Ziehen Sie die Greifsnur am Sitz (D) und drücken Sie die Seitenrahmen zusammen. Verriegeln Sie die Klemme (E) über den Sitzstangen.

Tragen des Walkers: Der Walker darf nicht an der Greifsnur oder den Bremskabeln getragen werden. Falten Sie den Gehwagen wie in der Abbildung (F) gezeigt zusammen. Tragen Sie den Gehwagen an den Sitzstangen, wenn er zusammengeklappt ist (G).

4 Unterarmstützen/ Griffe / Memoryfunktion

Höhenverstellung: Schrauben Sie das Verschlussrad (A) auf (ca. 2 Umdrehungen). Stellen Sie die Unterarmstützrohre auf eine geeignete Höhe ein und ziehen Sie sie dann leicht auf und ab (C), bis Sie ein Klickgeräusch hören. Ziehen Sie das Verriegelungsrad (A) wieder fest. Stellen Sie beide Rohre auf die gleiche Höhe ein. **Empfohlene Höhe:** Zwischen den Hinterrädern stehen. Entspannen Sie Ihre Schultern und halten Sie Ihre Ellbogen in einem 90-Grad-Winkel. Das Niveau der Unterarmstützen sollte auf Höhe Ihrer Ellbogen festgelegt werden. Ein Fachmann sollte Ihnen bei der Einstellung der Unterarmstützen und der Griffe helfen, um eine korrekte Haltung zu gewährleisten.

Verstellen der Griffe: Schrauben Sie das Verschlussrad (H) auf. Sie können nun den Griff (B) nach hinten ziehen oder nach vorne schieben. Es ist auch möglich, den Winkel des Griffs einzustellen. Nachdem Sie den Griff in die gewünschte Position gebracht haben, ziehen Sie das Verschlussrad (H) wieder fest. Seien Sie vorsichtig beim Abschrauben / Anziehen des Verschlussrades, um eine Verletzung der Finger zu vermeiden.

Memory-Funktion: Legen Sie die Höhe des Unterarmstützrohrs fest. Zählen Sie die sichtbaren Löcher an der Rückseite der Griffrohre (G). Schrauben Sie das Verschlussrad (A) auf. Ziehen Sie das Rohr (G) aus dem Rahmen.

Das Befestigungsstück (D) folgt nun dem Griffrohr. Verschieben Sie das Befestigungsstück (D) so, dass die Anzahl der Löcher darüber den zuvor gezählten Löchern entspricht. Setzen Sie den roten Speicherchip (E) auf das Rohr in die erste verfügbare Bohrung unter dem Befestigungsstück (D). Schieben Sie das Rohr (G) und das Befestigungsstück (D) nach unten und in den Seitenrahmen (F). Schrauben Sie das Verschlussrad (A) zur Hälfte ein. Ziehen Sie das Rohr (G) nach oben, bis es stoppt, und ziehen Sie dann das Verschlussrad (A) ordnungsgemäß fest. Wenn sich das Rohr von nun an in der niedrigsten Position befinden, bleibt es beim Hochziehen in der voreingestellten Position stehen.

5 Bremsen

Stellen Sie sicher, dass die Bremsen vor jeder Fahrt funktionieren. Jeder Bremshebel (A) funktioniert an jedem der Hinterräder. *Fahren oder schieben Sie den Gehwagen nicht, während die Feststellbremsen in Gebrauch sind!*

Feststellbremsen: Drücken Sie die Bremshebel nach vorne (A), um die Feststellbremsen zu aktivieren. Beachten Sie, dass der Hebel einen gewissen Widerstand hat, bevor er stoppt und das Hinterrad blockiert. Ziehen Sie die Bremshebel nach hinten, um die Feststellbremsen zu lösen.

Fahrbremsen: Ziehen Sie die Bremshebel zu Ihnen (B), um die Geschwindigkeit zu drosseln. *Nicht kontinuierlich verwenden, während der Gehwagen in Bewegung ist.*

Einstellen / Prüfen: Lösen Sie die Mutter (C). Ziehen Sie das Bremskabel (D) mit der Einstellschraube (E) fest. Stellen Sie beide Bremsblöcke (F) so ein, dass der Abstand zur Radoberfläche ca. 1 mm beträgt, und ziehen Sie dann die Mutter (C) fest. Stellen Sie sicher, dass die Bremsen nicht zu fest eingestellt sind und hart in den Gummi der Räder drücken, wenn die Feststellbremse aktiviert wird.

Wartung: Reinigen Sie den Bremsblock (F) und die Bremsfeder (G) häufig. Die Räder und Bremsen können ausgetauscht werden, wenn sie abgenutzt oder beschädigt sind.

6 Sitz

Der Walker verfügt über einen sicheren und bequemen Netzsitz, durch den Sie beim Gehen einen Blick auf den Boden haben. Er kann bei Bedarf leicht mit einem Tuch abgewischt werden. Die Feststellbremsen müssen vor der

Benutzung des Sitzes aktiviert werden. Drücken Sie beide Bremshebel nach vorne, bis sie einrasten (A). Beide Hinterräder sind nun gesperrt. Setzen Sie sich mit dem Rücken zum Korb (B).

7 Kantenschutz / Kippfunktion

Kantenschutz: Die Bremsklötze/ Kantenschützer (A), die sich vor den Hinterrädern befinden, verhindern, dass sich die Hinterräder an Ecken, Türrahmen etc. festhalten.

Kippfunktion: Um die Kippfunktion zu nutzen, verwenden Sie die Vorderseite des Fußes und drücken Sie auf das Kippedal (B), das sich neben dem Hinterrad befindet. Dies hilft, den Gehwagen über Schwellen, Kanten usw. zu kippen. Bitte beachten: Seien Sie vorsichtig beim Überwinden von Schwellen usw.

Korb

Der Korb fasst bis zu 5 Kilo. Es kann entfernt und bei 60 °C schonend gewaschen werden.

Transport

Der Walker sollte in der gefalteten und verriegelten Position transportiert werden (*siehe Absatz Entfalten / Falten*). Stellen Sie sicher, dass die Verriegelungsklemme greift ist, damit sich der Gehwagen nicht unbeabsichtigt entfalten kann. Seien Sie vorsichtig, wenn Sie den Walker in ein Fahrzeug laden, und achten Sie darauf, ihn zu sichern.

Lagerung

Der Walker sollte in aufrechter Position aufbewahrt werden. Bei Lagerung im Freien muss er zum Schutz abgedeckt werden. Lassen Sie Ihren Walker nicht unbeaufsichtigt. Legen Sie während der Lagerung keine schweren Gegenstände auf den Walker.

Reinigung

Der Gehwagen kann mit einem feuchten Tuch gereinigt werden. Bei Schlamm- und Schmutzansammlungen können Sie ein Tuch mit einem milden Reinigungsmittel verwenden und anschließend mit lauwarmem Wasser abspülen. Verwenden Sie keine Hochdruckreiniger und vermeiden Sie, direkt gegen Kugellager (in Rädern und Vordergabeln) zu spülen. Verwenden Sie keine Scheuermittel oder Dampfstrahlgeräte. Trocknen Sie den Gehwagen mit einem weichen Tuch ab.

Desinfektion

Die Desinfektion darf nur von autorisiertem Personal durchgeführt werden. Bitte wenden Sie sich an Ihren Händler oder Ihr Sanitätshaus vor Ort. Während der Desinfektion ist eine ausreichende Schutzausrüstung zu tragen, und die Anweisungen des Desinfektionsmittelherstellers müssen befolgt werden. Die Oberfläche des Gehwagens sollte mit einem weichen Tuch oder Schwamm und einem zugelassenen chemischen Desinfektionsmittel, das 70–80 % Ethanol enthält, gereinigt werden. Wir raten von chlor- und phenolhaltigen Desinfektionsmitteln ab. *Verwenden Sie keine Hitzedesinfektion. Der Hersteller kann nicht für Schäden oder Verletzungen haftbar gemacht werden, die durch schädliche Desinfektionsmittel oder Desinfektion durch unbefugtes Personal verursacht wurden.*

Inspektion / Wartung / Wiederverwendung

Es wird empfohlen, regelmäßig Inspektionen und Wartungsarbeiten durchzuführen (die Häufigkeit hängt davon ab, wie und wie oft der Walker verwendet wird). Überprüfen Sie die folgenden Punkte: Rahmen, Schrauben, Rohre, Griffe, Unterarmstützen, Bremsen, Bremsteile, Räder, Sitz und Zubehör. Dies gilt auch, wenn der Walker für die Wiederverwendung vorbereitet werden soll. Bitte beachten Sie die detaillierten Anweisungen in dieser Gebrauchsanweisung zur Wartung von Bremsen und zur Reinigung / Desinfektion. Die empfohlene Wartung

ist keine Voraussetzung, und es ist keine vorbeugende Wartung erforderlich, vorausgesetzt, dass der Gehwagen gemäß dieser Gebrauchsanweisung bestimmungsgemäß verwendet wird.

Material / Recycling

Der Walker besteht aus kunststoffbeschichteten Aluminiumrohren, Kunststoffkupplungen und Material aus Kunststoff und Polyester. In allen Rädern und Gabeln befinden sich Kugellager. Die meisten Teile können recycelt werden. Entsorgen Sie den Walker und seine Verpackung gemäß den in Ihrem Land geltenden Vorschriften. Für Informationen wenden Sie sich bitte an Ihre Behörde.

Garantie

Für den TOPRO Troja Walker² wird eine Garantie von 7 Jahren auf Fehler- und Mängelfreiheit gewährt. Schäden, die durch unsachgemäßen Gebrauch verursacht werden oder Teile, die natürlichem Verschleiß ausgesetzt sind (z. B. Bremsblock, Bremsseil, Rad, Korb, Sitz und Griff), sind von der 7-jährigen Garantie ausgenommen. Für Reparaturen während der Garantiezeit wenden Sie sich bitte an Ihr örtliches Sanitätshaus oder Ihren Händler. Die Garantie erlischt, wenn nicht autorisierte Ersatzteile und Zubehörteile für das Produkt verwendet wurden oder werden. Die erwartete Lebensdauer des Produkts wird auf 10 Jahre geschätzt, vorausgesetzt, es wird gemäß dieser Gebrauchsanweisung und ihren Sicherheits- und Wartungsanweisungen korrekt verwendet.

8 Produktetikett

- 1 - Hersteller
- 2 - Siehe Gebrauchsanweisung (blaues Symbol auf dem neuen Etikett)
- 3 - Modellbezeichnung
- 4 - Modellnummer
- 5 - Herstellungsdatum
- 6 - Seriennummer
- 7 - Globale Handelsartikelnummer (GTIN)
- 8 - GS1 DataMatrix
- 9 - Maximales Benutzergewicht
- 10 - Maximale Länge des Walkers
- 11 - Maximale Breite / Höhe des Walkers
- 12 - Für den Innenbereich bestimmt
- 13 - Medizinisches Gerät
- 14 - CE-Kennzeichnung (Dieses Produkt ist konform mit der Medizinprodukteverordnung (EU) 2017/745)

Zubehör

	TOPRO Artikel No.
Rückengurt	814765
Tablett (Achtung: nicht für Größe X)	814728
Antirutschmatte für Tablett (NB: nicht für Größe X)	814059
Stockhalter	815358
Getränkehalter	814043
Stabilisierungsstange (Größe M / S)	814729
Stabilisierungsstange (Größe X)	814730
Einhand-Simultanbremse	814026
Führungsgriff für Sehbehinderte	814014
Gepäcktasche mit Reißverschluss (NB: nicht für Größe X)	814046
Namensschild	814024
Rollwiderstandssystem, Paar	814032
Netzkorb für Sauerstoffflasche (nur komprimiert, nicht flüssig)	814009

Zubehör, das am Walker montiert ist, kann die Stabilität beeinflussen, wir empfehlen Ihnen daher, es mit Vorsicht zu verwenden. Das Zubehör kann separat bestellt werden, um einen TOPRO Troja Walker² an individuelle Bedürfnisse anpassen zu können. Kontaktieren Sie Ihr Sanitätshaus, Ihren Händler oder TOPRO für eine aktualisierte Übersicht über das Zubehör oder besuchen Sie unsere Homepage topromobility.com.

Gefeliciteerd met uw keuze voor een nieuwe TOPRO-walker

Elk TOPRO-walker wordt ontwikkeld, ontworpen en geproduceerd in Noorwegen. Het product voldoet aan de Medical Device Regulation (EU) 2017/745. Het is getest en goedgekeurd volgens EN ISO 11199-3:2005. Controleer bij ontvangst van de goederen uw product. Als u vragen heeft, neem dan onmiddellijk contact op met uw mobiliteitswinkel of dealer. Als u problemen ondervindt bij het lezen van deze gebruikershandleiding, is er een digitale versie beschikbaar op topromobility.com.

Beoogd gebruik

De TOPRO Troja Walker² zal ondersteuning bieden aan gebruikers met een verminderd evenwicht en/of verminderd loopvermogen. Het is ontworpen om te worden geduwd, niet getrokken. De geïntegreerde zitje biedt de gebruiker de mogelijkheid om te rusten indien nodig. De beoogde gebruiker is een volwassene. Er gelden lengte- en gewichtsbependingen. *Contra-indicaties: Het product is niet geschikt voor personen met een beperkte kracht in de armen, met een zeer slechte balans of met aanzienlijke cognitieve beperkingen. De walker is ontworpen en goedgekeurd voor gebruik binnenshuis op een eenvoudige basis.*

Om de walker te leren kennen en te leren hoe deze correct te gebruiken, wordt training door een bekwaam persoon geadviseerd.

0 De grijs genummerde cirkels in deze gebruikershandleiding verwijzen naar de genummerde informatieafbeelding en illustraties in de omslag

1 Maak kennis met uw TOPRO-product

A Onderamschalen	H Fixatieknop voor het handvat
B Remhendel	I Netje
C Handvatbuis	J Zijframe
D Remkabel	K Remblok / stootrand
E Bevestigingsstang voor zitje/netje	L Drempelhulp
F Zitje met optrekkoord voor vouwmechanisme	M Spankoord/ stabilisatie riem
G Fixatieklem	N Productlabel

2 Veiligheid

Let er bij het opvouwen en uitvouwen op dat u uw vingers niet bezeert.

Let op dat u uw vingers niet in open gaten of tussen stilstaande delen steekt.

Zorg ervoor dat de fixatieknop voor hoogteverstelling van de handgrepen goed is vergrendeld.

Wanneer u stilstaat of geparkeerd staat, zorg er dan voor dat de parkeerremmen aan beide zijden zijn geactiveerd (A).

Gebruik de walker niet op trappen. Wees voorzichtig bij het overbruggen van drempels etc.

Controleer de remmen voor elk gebruik en of de walker in uitgevouwen positie vergrendeld is.

Gebruik de Walker niet om zware lasten of personen te vervoeren.

Houd er rekening mee dat sommige delen van de walker warm of koud kunnen aanvoelen bij blootstelling aan extreme temperaturen.

Wijzig het product niet, omdat dit uw veiligheid in gevaar kan brengen en de garantie hierbij vervalt.

Voordat u op het zitje (C) gaat zitten, moet u ervoor zorgen dat de parkeerremmen aan beide zijden zijn geactiveerd (A).

Om het risico op vallen te voorkomen, mag u niet zijwaarts of over de walker leunen of buigen terwijl u in de zittende positie zit (D). Kantel de walker niet te veel zijwaarts, om het risico op vallen te voorkomen. Om dezelfde reden mogen tassen e.d. nooit aan de handvatten worden gehangen.

Om de juiste ondersteuning en veiligheid te geven, loopt u rechtop en zorgt u ervoor dat de walker zo dicht mogelijk bij uw lichaam wordt gehouden (E). Loop tussen de achterwielen (F), niet erachter (G).

Wees ervan bewust dat de walker bergafwaarts sneller dan u kan gaan, waardoor u het risico loopt om te vallen. Activeer de remmen om de snelheid (B) aan te passen.

Zeer lange of wijde kleding kan klem raken in de wielen van de walker, wat kan leiden tot vallen. Het wordt daarom afgeraden zulke kleding te dragen tijdens het gebruik van de walker. Draag stevig schoeisel om blessures te voorkomen.

Gebruik de walker niet op gladde oppervlakten.

Houd de walker uit de buurt van vuur en hete voorwerpen.

Klim niet op de walker.

3 Uitvouwen / Vouwen

Uitvouwen: Maak de riem los tussen de onderarmsteunen (A) (niet van toepassing op de walker in maat X). Maak de fixatieklem los die zich bij de bevestigingsstangen voor zitje/netje (B) bevindt. Druk de bevestigingsstangen naar beneden en naar buiten (C). De zijframes schuiven uit elkaar. Druk de bevestigingsstangen naar beneden. U hoort een klikkend geluid. De walker zit nu vergrendeld in zijn open positie. Maak de riem vast (A).

Vouwen: Maak de riem los tussen de onderarmsteunen (A). Trek aan het trekkoord op de zitting (D) en druk de zijframes tegen elkaar. Vergrendel de fixatieklem (E) over de bevestigingsstangen.

Het dragen van de walker: De walker mag niet worden gedragen aan de zitting of de remkabels. Vouw de walker samen zoals weergegeven op de afbeelding (F). Draag de walker bij de bevestigingsstangen voor het zitje/netje, wanneer deze zijn neergeklapt (G).

4 Onderamschalen / Handgrepen / Geheugenfunctie

Hoogteverstelling: Schroef de fixatieknop (A) los (ca. 2 omwentelingen). Stel de buizen van de onderarmsteunen in op een geschikte hoogte en trek ze vervolgens iets op en neer (C) totdat u een klikkend geluid hoort. Draai de fixatieknop (A) opnieuw vast. Stel beide buizen op dezelfde hoogte in. **Aanbevolen**

hoogte: Ga tussen de achterwielen staan. Ontspan uw schouders en houdt uw ellebogen in een hoek van 90 graden. Het niveau van de onderarmsteunen moet ter hoogte van uw ellebogen worden vastgesteld. Een professional moet u helpen met het afstellen van de armsteunen en de handgrepen, om te helpen zorgen voor een juiste houding.

De handgrepen aanpassen: Schroef de fixatieknop (H) los. U kunt nu het handvat (B) naar achteren trekken of naar voren duwen. Het is ook mogelijk om de hoek van het handvat aan te passen. Nadat u de hendel in de gewenste positie hebt ingesteld, draait u de fixatieknop (H) opnieuw aan. Wees voorzichtig bij het losdraaien / aandraaien van de fixatieknop om te voorkomen dat u uw vingers bezeert.

Geheugenfunctie: Bepaal de hoogte van de buis van de onderarmsteunen. Tel zichtbare gaten aan de achterkant van de handvatbuizen (G). Schroef de fixatieknop (A) los. Trek de buis (G) uit het frame. Het bevestigingsstuk (D) volgt

nu de handvatbuis. Verplaats het bevestigingsstuk (D) zodat het aantal gaten erboven gelijk is aan de eerder getelde gaten. Plaats de rode geheugenclip (E) op de buis in het eerste beschikbare gat onder het bevestigingsstuk (D). Duw de buis (G) en het bevestigingsstuk (D) naar beneden en in het zijframe (F). Schroef de fixatieknop (A) halverwege vast. Trek de buis (G) omhoog totdat deze stopt en draai vervolgens de fixatieknop (A) goed aan. Vanaf nu, wanneer de handvatbuizen zich in de laagste positie bevinden, stoppen ze in de vooraf ingestelde positie wanneer ze omhoog worden getrokken.

5 Remmen

Zorg ervoor dat de remmen werken voor elk gebruik. Elke remhendel (A) werkt op elk van de achterwielen.

Rij of duw de walker niet terwijl de parkeerremmen in gebruik zijn!

Parkeerremmen: Duw de remhendels naar voren (A) om de parkeerremmen te activeren. Houd er rekening mee dat de hendel enige weerstand heeft voordat deze stopt en het achterwiel vergrendelt. Trek de remhendels naar achteren om de parkeerremmen los te laten.

Remmen aandrijven: Trek de remhendels naar u toe (B) om de snelheid te verminderen. *Niet continu gebruiken terwijl de walker in beweging is.*

Afstellen / controleren: Maak de moer los (C). Draai de remkabel (D) vast met de stelschroef (E). Stel beide remblokken (F) zo in dat de afstand tot het wieloppervlak ongeveer 1 mm is en draai vervolgens de moer aan (C). Zorg ervoor dat de remmen niet te strak worden afgesteld en hard in het rubber van de wielen drukken wanneer de parkeerrem wordt geactiveerd.

Onderhoud: Reinig het remblok (F) en de remveer (G) regelmatig. De wielen en remmen kunnen worden vervangen als ze versleten of beschadigd zijn.

6 Zitting

De walker heeft een veilige en handige doorkijkzitting, waardoor u tijdens het lopen zicht op de grond heeft. Het zitje kan gemakkelijk worden gereinigd met een doek indien nodig. De parkeerremmen moeten worden geactiveerd voordat u op het zitje gaat zitten. Duw beide remhendels naar voren totdat ze vergrendelen (A). Beide achterwielen zijn nu vergrendeld. Ga met uw rug naar het netje (B) zitten.

7 Stootrand / Drempelhelpfunctie

Stootrand: De stootrand (A), die zich voor de achterwielen bevinden, voorkomen dat de achterwielen in bochten, deurkozijnen enz. terechtkomen.

Drempelhelp: Om de drempelhelp te gebruiken, gebruikt u de voorkant van de voet en drukt u op de drempelhelp (B), dat zich naast het achterwiel bevindt. Dit helpt om de walker over drempels, randen etc. te kantelen. Let op: Wees voorzichtig bij het overbruggen van drempels etc.

Netje

Het netje is belastbaar tot maximaal 5 kilo. Het kan worden verwijderd en voorzichtig worden gewassen tot 60 °C.

Vervoer

De walker moet in de gevouwen en vergrendelde positie worden vervoerd (zie paragraaf *Uitvouwen / Vouwen*). Zorg ervoor dat de fixatieklem vast zit, zodat de walker zich niet onverwachts kan uitvouwen. Wees voorzichtig bij het laden van de walker in een voertuig en let erop dat de walker goed vergrendeld is.

Opslag

De walker moet rechtop worden opgeborgen. Indien buiten opgeslagen, dan onder bedekking om het te beschermen. Laat uw walker niet onbeheerd achter. Leg geen zware voorwerpen op de walker tijdens het opbergen.

Reiniging

De walker kan worden gereinigd met een vochtige doek. In geval van modder- en vuilophoping kan een doek met een mild wasmiddel worden gebruikt, gevolgd door spoelen met lauw water. Gebruik geen hogedrukreinigers en vermijd spoelen direct tegen kogellagers (in wielen en voorvorken). Gebruik geen schuurmiddelen of stoomwas. Droog de walker met een zachte doek.

Desinfectie

Desinfectie mag alleen worden uitgevoerd door bevoegd personeel. Neem contact op met uw lokale dealer of mobiliteitshulpcentrum. Tijdens de desinfectie moeten voldoende beschermingsmiddelen worden gedragen en moeten de instructies van de fabrikant van het ontsmettingsmiddel worden opgevolgd. Het oppervlak van de walker moet worden gereinigd met een zachte doek of spons en een goedgekeurd chemisch ontsmettingsmiddel dat 70–80 % ethanol bevat. Wij raden af om een desinfectiemiddel dat chloor of fenol bevat af te keuren. Gebruik geen warmtedesinfectie. *De fabrikant kan niet verantwoordelijk worden gehouden voor eventuele schade of verwondingen die zijn opgetreden met behulp van schadelijk desinfectiemiddel of desinfectie uitgevoerd door onbevoegd personeel.*

Inspectie / Onderhoud / Hergebruik

Het wordt aanbevolen om regelmatig inspectie en onderhoud uit te voeren (frequentie wordt bepaald door hoe en hoe vaak de walker wordt gebruikt). Controleer de volgende items: Frame, schroeven, buizen, handgrepen, onderarmsteunen, remmen, remonderdelen, wielen, zitje en accessoires. Dit geldt ook wanneer de walker klaargemaakt moet worden voor hergebruik. Zie de gedetailleerde instructies in deze gebruikershandleiding over onderhoud van remmen en reiniging/desinfectie. Het aanbevolen onderhoud is geen vereiste en er is geen preventief onderhoud vereist, op voorwaarde dat de walker wordt gebruikt zoals bedoeld volgens deze gebruikershandleiding.

Materiaal / Recycling

De walker is gemaakt van aluminium buizen met een kunststof coating, kunststof koppelingen en materiaal van plastic en polyester. Er bevinden zich kogellagers in alle wielen en vorken. De meeste onderdelen kunnen worden gerecycled. Voer de walker en de verpakking af volgens de geldende voorschriften in uw land. Neem voor meer informatie contact op met uw gemeente.

Garantie

TOPRO Troja Walker² is gegarandeerd vrij van fouten en defecten gedurende 7 jaar. Schade veroorzaakt door onjuist gebruik of onderdelen die zijn blootgesteld aan natuurlijke slijtage (bijv. remblok, remkabel, wiel, mandje, zitje en handvat) zijn vrijgesteld van de garantie van 7 jaar. Neem voor reparaties tijdens de garantieperiode contact op met uw lokale mobiliteitswinkel of dealer. De garantie vervalt als er ongeautoriseerde reserveonderdelen en accessoires op het product zijn of worden gebruikt. De verwachte levensduur van het product wordt geschat op 10 jaar als het op de juiste manier wordt gebruikt volgens deze gebruikershandleiding en de veiligheids- en onderhoudsinstructies.

8 Productlabel

- 1 - Fabrikant
- 2 - Raadpleeg de gebruiksaanwijzing (blauw pictogram op het nieuwe label)
- 3 - Modelnaam
- 4 - Modelnummer
- 5 - Datum van vervaardiging
- 6 - Serienummer
- 7 - Nummer van de wereldhandelspost
- 8 - GS1 DataMatrix
- 9 - Maximaal gebruikersgewicht
- 10 - Maximale lengte van de walker
- 11 - Maximale breedte / hoogte van de walker
- 12 - Bedoeld voor gebruik binnenshuis
- 13 - Medisch hulpmiddel
- 14 - CE-markering (Dit product voldoet aan richtlijn medische hulpmiddelen (EU) 2017/745)

Accessoires

	TOPRO Item No.
Rugsteun	814765
Dienblad (NB: niet voor maat X)	814728
Antislipmat voor dienblad (NB: niet voor maat X)	814059
Stokhouder	815358
Bidonhouder	814043
Stabilisatiestang (maat M / S)	814729
Stabilisatiestang (maat X)	814730
Eenzijdige beremming	814026
Duwhandgreep voor begeleider	814014
Tas met rits (NB: niet voor maat X)	814046
Naamplaatje	814024
Rolweerstandssysteem, paar	814032
Zuurstoffleshouder (alleen samengeperst, niet vloeibaar)	814009

Accessoires die op de walker zijn gemonteerd, kunnen de stabiliteit beïnvloeden, daarom raden wij u aan met zorg te gebruiken. De accessoires kunnen afzonderlijk worden besteld om een TOPRO Troja Walker² aan te passen aan individuele behoeften. Neem contact op met uw mobiliteitswinkel, dealer of TOPRO voor een bijgewerkt overzicht van de accessoires of bezoek onze homepage topromobility.com.

Grattis till ditt val av ett nytt TOPRO gåbord

Alla TOPROs gåbord är utvecklade, designade och tillverkade i Norge. Produkten uppfyller förordningen om medicintekniska produkter (EU) 2017/745. Den har testats och godkänts enligt EN ISO 11199-3:2005. Kontrollera produkten vid mottagandet och rapportera omedelbart till din hjälpmedelscentral eller återförsäljare om produkten är skadad. Om du har problem med att läsa den här bruksanvisningen finns en elektronisk version tillgänglig på topromobility.com

Avsedd användning

TOPRO Troja Walker² ska ge stöd till användare med nedsatt balans och/eller nedsatt gångförmåga. Den är utformad för att skjutas framåt, inte dras. Den integrerade sitsen gör att brukaren kan sätta sig ner för att vila. Produkten är avsedd för vuxna. Höjd- och viktbegränsningar gäller. *Kontraindikationer: Produkten är inte lämplig för personer med mycket liten styrka i armar och händer, med väldigt dålig balans eller med stora kognitiva utmaningar. Produkten är konstruerad och godkänd för inomhusbruk på plant underlag.*

För att lära känna och förstå hur gåbordet fungerar rekommenderas en introduktion av din fackhandlare/hjälpmiddelscentral.

0 Grå numrerade cirklar refererar till numrerade illustrationer på insidan av omslaget till denna bruksanvisning

1 Lär känna din TOPRO produkt

- | | |
|--|------------------------------------|
| A Underarmsstöd | H Låsraff för höjdjustering |
| B Bromshandtag | I Korg |
| C Handtagsrör | J Sidoram |
| D Bromsvajer | K Bromskloss / Kantskydd |
| E Sitsstång / Bärhandtag | L Steghjälp |
| F Sits med stropp för hopfällning | M Stabiliseringsstropp |
| G Transportlås | N Produktetikett |

2 Säkerhet

Var försiktig så att du inte klämmer dig vid utfällning/hopfällning.

Var försiktig så att du inte fastnar med fingrarna i hål eller mellan delar.

Kontrollera att låsratten för höjdjustering av underarmsstöden är ordentligt åtdragen.

Använd alltid parkeringsbromsen (A) på båda sidor, vid stopp eller parkering.

Använd inte gåbordet i trappor. Var försiktig när du passerar trösklar och liknande.

Kontrollera bromsarna före varje användning och att gåbordet går i lås i utfälld position.

Använd inte produkten för transport av personer eller tung last.

Var försiktig vid hantering av gåbordet så att du inte skadar dig när det har varit utsatt för extremt höga eller låga temperaturer.

Gör inga tekniska ändringar av produkten, eftersom det kan riskera din säkerhet och garantin upphävs.

Använd parkeringsbromsen (A), på båda sidor, innan du sätter dig på sitsen (C).

Böj dig inte för mycket bakåt eller åt sidorna när du sitter på sitsen, för att undvika risken att tippa över (D). Luta inte gåbordet för mycket åt sidorna, för att undvika fallrisk. Av samma anledning bör inte påsar eller liknande hängas på handtagen.

För korrekt stöd och säkerhet, gå upprätt och försök hålla gåbordet så nära kroppen som möjligt (E). Gå mellan bakhjulen (F), inte bakom dem (G).

På sluttande underlag kan gåbordet rulla snabbare än din egen gånghastighet, vilket kan innebära en fallrisk. Använd bromsarna för att justera hastigheten (B).

Var försiktig när du använder vida kjolar eller byxor så att de inte fastnar i hjulen. Använd stadiga skor för att undvika skador.

Använd inte gåbordet på hala underlag.

Ställ inte gåbordet nära eld eller väldigt varma föremål.

Klättra inte på gåbordet.

3 Utfällning / Hopfällning

Utfällning: Lossa stroppen (A) mellan underarmsstöden (gäller ej modell X). Lossa transportlåset på sitsstängerna (B). Tryck sitsstängerna nedåt och utåt så att sidoramarna glider isär. Tryck sitsstängerna nedåt (C) tills du hör ett "klick". Gåbordet är nu låst i utfällt läge. Sätt fast stroppen mellan underarmsstöden (A).
Hopfällning: Lossa stroppen (A) mellan underarmsstöden. Dra stroppen (D) på sitsen uppåt och tryck ihop sidoramarna. Tryck transportlåset (E) över sitsstängerna.
Att bära gåbordet: Gåbordet ska inte bäras i stroppen på sitsen eller i bromsvajrarna. Fäll ihop gåbordet enligt illustration (F). Bär gåbordet genom att hålla i de samlade sitsstängerna (G).

4 Underarmsstöd / Handtag / Minnesfunktion

Höjdställning: Lossa låsratten (A) (ca. 2 varv). Justera handtagsröret till lämplig höjd och dra det lite upp och ner (C) tills du hör ett "klick". Skruva sedan åt låsratten (A) ordentligt. Justera båda handtagsrören till samma höjd.
Rekommenderad höjd: Stå mellan bakhjulen. Slappna av i axlarna och håll armbågarna i 90-graders vinkel. Underarmsstödet ska nu ställas in i höjd med armbågarna. Ta hjälp från din hjälpmedelscentral/fackhandlare för att ställa in underarmsstödet i riktig höjd för att undvika en felaktig kroppshållning.
Justering av handtag: Lossa låsratten (H). Nu kan du dra handtaget (B) bakåt eller skjuta det framåt. Det är också möjligt att justera vinkeln på handtaget. När du justerat handtaget till önskat läge, dra åt låsratten (H) igen. Var försiktig när du skruvar loss/drar åt låsratten så att du inte skadar fingrarna.
Minnesfunktion: Bestäm lämplig höjd på underarmsstöden. Räkna antalet synliga hål på handtagsrörets (G) baksida. Skruva loss låsratten (A) helt. Dra handtagsröret (G) upp och ut ur sidoramerna. Fäststycket (D) följer med röret ut. Flytta fäststycket (D) längs röret (G) tills antalet hål över fäststycket är samma antal som räknat tidigare. Fäst den röda plastdelen (E) på röret i det första tillgängliga hålet under fäststycket (D). Tryck ner handtagsröret (G) och fäststycket (D) i sidoramerna. Placera låsratten (A) och skruva in den halvvägs. Dra röret (G) uppåt tills det stoppar och skruva åt låsratten (A) ordentligt. Nu kommer du att finna den förinställda höjden genom att dra handtagen från det sänkta läget och uppåt tills de stoppar.

5 Bromsar

Kontrollera att bromsarna fungerar före varje färd. Vardera bromshandtag (A) verkar på respektive bakhjul. *Gåbordet ska inte köras eller skjutas framåt när parkeringsbromsarna är aktiverade.*
Parkeringsbroms: Tryck bromshandtaget (A) framåt för att aktivera parkeringsbromsen. Var medveten om att handtaget har lite motstånd innan det stoppar och läser bakhjulet. Dra bromshandtagen bakåt för att frigöra parkeringsbromsen.
Färdbroms: Dra bromshandtagen (B) mot dig för att sakta ner farten. *Använd inte färdbromsen kontinuerligt när du kör gåbordet.*
Justering / kontroll: Lossa låsmuttern (C). Dra åt bromsvajern (D) med justeringsskruven (E). Justera båda bromsklossarna (F) så att avståndet till hjulet är cirka 1 mm och dra sedan åt låsmuttern (C). Bromsarna ska inte vara så hårt åtdragna att de pressas in i däckens gummi när parkeringsbromsen sätts på.
Underhåll: Rengör bromskloss (F) och bromsfjäder (G) regelbundet. Hjulen och bromsarna kan bytas ut ifall de blir utslitna eller skadade.

6 Sits

Gåbordet har en säker och bekväm nästsits, som ger synlighet mot underlaget där du går. Den kan enkelt torkas av med en trasa vid behov. Innan du använder sitsen måste parkeringsbromsarna vara aktiverade. Tryck båda bromshandtagen (A) framåt tills de går i lås med ett "klick". Båda bakhjulen är nu låsta. Sitt med ryggen mot korgen (B).

7 Kantskydd / Steghjälp

Kantskydd: Bromsklossarna (A) framför bakhjulen förhindrar att hjulet fastnar i hörn, dörrkarmar och liknande.
Steghjälp: För att använda steghjälpen placerar du främre delen av foten på pedalen (B) och pressar den nedåt. Denna funktion hjälper dig att vippa gåbordet över trösklar, kanter och liknande. OBS! Var försiktig när du passerar trösklar och liknande.

Korg

Korgen tål last upp till 5 kg. Den kan tas av och tvättas försiktigt på 60°C.

Transport

Gåbordet ska transporteras i hopfällt och låst läge (se avsnitt 3 *Utfällning/hopfällning*). Kontrollera att transportlåset är fastsatt, så att gåbordet inte fälls ut oavsiktligt. Var försiktig när du placerar gåbordet i ett fordon och se till att det är ordentligt säkrat.

Förvaring

Gåbordet ska förvaras stående. Om det förvaras utomhus bör det täckas över för att skyddas mot slitage. Lämna inte gåbordet utan tillsyn. Placera inte tunga föremål ovanpå gåbordet under förvaring.

Rengöring

Gåbordet kan rengöras med en fuktig trasa. Vid ansamling av lera och smuts kan en trasa med ett mildt tvättmedel användas följt av sköljning med ljummet vatten. Använd inte högtryckstvätt och undvik att spola direkt mot kullager (i hjul och framgafflar). Använd inte slipmedel eller ångtvätt. Torka gåbordet med en mjuk trasa.

Desinficering

Desinfektion får endast utföras av behörig personal. Kontakta din lokala återförsäljare eller din hjälpmedelscentral. Under desinfektion måste tillräcklig skyddsutrustning bäras och instruktionerna från desinfektionsmedelstillverkaren måste följas. Gåbordets yta ska rengöras med en mjuk trasa eller svamp och ett godkänt kemiskt desinfektionsmedel som innehåller 70–80 % etanol. Vi avråder från desinfektionsmedel som innehåller klor eller fenol. Använd inte värmedesinfektion. *Tillverkaren kan inte hållas ansvarig för fel eller skador som uppstått med skadligt desinfektionsmedel/-metoder eller desinfektion som utförts av obehörig personal.*

Inspektion / Underhåll / Rekonditionering

Det rekommenderas att inspektion och underhåll utförs regelbundet (frekvensen beror på hur och hur ofta gåbordet används). Kontrollera följande delar: Sidoramar, skruvar, rör, handtag, underarmsstöd, bromsar, bromsdelar, hjul, sits och tillbehör. Detta gäller också om gåbordet ska förberedas för återbruk. Se detaljerade instruktioner i denna bruksanvisning för underhåll av bromsar samt rengöring/desinficering. Det rekommenderade underhållet är inget krav och inget förebyggande underhåll (FU) krävs förutsatt att gåbordet används för avsett bruk i enlighet med denna bruksanvisning.

Material / Återvinning

Gåbordet är tillverkat av plastbelagda aluminiumrör, plastkopplingar och material gjort av plast och polyester. Alla hjul och gafflar innehåller kullager. De flesta delar kan återvinnas. Kassera gåbordet och dess förpackning enligt gällande regler i ditt land. För mer information kontakta myndigheterna i din kommun.

Garanti

TOPRO Troja Walker² inkluderar 7 års garanti, undantaget skador som uppstår på grund av felaktig användning eller delar som är utsatta för normalt slitage (bromskloss, bromsvajer, hjul, korg, sits och handtag). För reparationer under garantitiden, kontakta din hjälpmedelscentral eller återförsäljare. Garantin upphävs om ej godkända reservdelar eller tillbehör används på produkten. Förväntad livslängd för produkten är 10 år under förutsättning att den används på avsett sätt enligt denna bruksanvisning och dess säkerhets- och underhållsanvisningar.

8 Produktetikett

- 1 - Tillverkare
- 2 - Läs bruksanvisningen (blå ikon på den nya etiketten)
- 3 - Modellnamn
- 4 - Modellnummer
- 5 - Tillverkningsdatum
- 6 - Serienummer
- 7 - Global Trade Item Number (GTIN-kod)
- 8 - GS1 DataMatrix
- 9 - Maximal brukarvikt
- 10 - Maximal längd på gåbordet
- 11 - Maximal bredd/höjd på gåbordet
- 12 - Avsedd för inomhusbruk
- 13 - Medicinteknisk produkt
- 14 - CE-märke (Denna produkt uppfyller förordningen om medicintekniska produkter (EU) 2017/745)

Accessories

	TOPRO-artikelnr.
Ryggstöd	814765
Bricka (ej för modell X)	814728
Antihalkmatta för bricka (ej för modell X)	814059
Käpphållare	815358
Flaskhållare	814043
Stabiliseringsstag (modell M / S)	814729
Stabiliseringsstag (modell X)	814730
Enhandsbroms	814026
Styrhandtag för ledsagare för t.ex. synskadade	814014
Väska till baksidan, med dragkedja (ej för modell X)	814046
Namnskylt	814024
Släpbroms (Rullmotståndssystem), par	814032
Korg för syrgasflaska (endast komprimerad, ej flytande)	814009

Tillbehör som är monterade på gåbordet kan påverka stabiliteten, vi rekommenderar därför att du använder dem med försiktighet. Tillbehör kan beställas separat för att TOPRO Troja Walker² ska kunna anpassas efter individuella behov. Kontakta din hjälpmedelscentral, återförsäljare eller TOPRO för en uppdaterad översikt av tillgängliga tillbehör eller besök vår hemsida topromobility.com

Tillykke med dit valg af din nye TOPRO underarmsrollator

Alle TOPRO-gangbord er udviklet, designet og fremstillet i Norge. Produktet er i overensstemmelse med forordningen om medicinsk udstyr (EU) 2017/745. Det er testet og godkendt i henhold til EN ISO 11199-3:2005. Ved modtagelsen af varen skal du tjekke dit produkt. Hvis du har spørgsmål, skal du kontakte din forhandler med det samme. Hvis du har problemer med at læse denne brugervejledning, er der en onlineversion tilgængelig på topromobility.com.

Tilsigtet anvendelse

TOPRO Troja Walker² vil yde støtte til brugere med reduceret balance og/eller nedsat gangevne. Det er designet til at blive skubbet, ikke trukket. Det integrerede sæde gør det muligt for brugeren at hvile, hvis det er nødvendigt. Den tilsigtede bruger er en voksen person. Højde- og vægtbegrænsninger gælder. *Kontraindikationer: Produktet er ikke egnet til personer med lav styrke i armene, med meget dårlig balance eller med signifikant kognitivt handicap. Underarmsrollatoren er designet og godkendt til indendørs brug på et almindeligt underlag.*

For at blive bekendt med underarmsrollatoren og lære at bruge det korrekt, anbefales det at en sundhedsfaglig person demonstrerer produktet før brug.

0 De grå tal i denne vejledning refererer til nummererede oplysninger og illustrationer inde i omslaget

1 Lær dit TOPRO-produkt at kende

A	Underarmsstøtte	H	Låseskrue for højdejustering
B	Bremsehåndtag	I	Netkurv
C	Håndtag	J	Sideramme
D	Bremsekabel	K	Bremseklovs / Kantafviser
E	Bærehåndtag	L	Tilt funktion
F	Sæde med udløserrem til foldemekanisme	M	Støttesnor
G	Låseklips	N	Produktetiket

2 Sikkerhed

Når du folder/folder underarmsrollatoren ud, skal du være opmærksom, så du ikke skader fingrene.

Bemærk venligst; Sæt ikke fingrene i åbne huller eller mellem stationære dele.

Sørg for, at låseskruen til højdejustering af underarmsstøtter er strammet.

Når du står stille eller parkerer, skal du sørge for, at parkeringsbremsene på begge sider er aktiveret (A).

Brug ikke underarmsrollatoren på trapper. Vær forsigtig, når du passerer dørtrin og lignende.

Kontroller bremsene før hver brug, og at underarmsrollatoren låser i udslået position.

Brug ikke underarmsrollatoren til at transportere tunge byrder eller personer.

Bemærk venligst, at nogle dele af underarmsrollatoren kan føles varme eller kolde, når de udsættes for ekstreme temperaturer.

Du må ikke modificere eller ændre på produktet, da dette kan bringe din sikkerhed i fare og annullerer garantien.

Før du sætter dig på sædet (C), skal du sørge for, at parkeringsbremsene på begge sider er aktiveret (A).

For at reducere risikoen for fald må du ikke læne dig eller bøje sidelæns eller over til bagsiden af gangbordet, mens du sidder (D). Vip ikke underarmsrollatoren for meget sidelæns af risiko for, at det vælter. Af samme grund må poser m.v. aldrig hænges på underarmsstøtterne eller håndtagene.

For at give den rigtige støtte og sikkerhed skal du gå lige og sørge for, at underarmsrollatoren er så tæt på din krop som muligt (E). Gå mellem baghjulene (F), ikke bag dem (G).

Bemærk, at underarmsrollatoren kan køre hurtigere end dig, når du går ned ad bakke, hvilket kan udsætte dig for fald fare. Aktiver håndbremsene for at justere hastigheden (B).

Vær forsigtig, når du bærer flagrende nederdele og bukser, da de kan sidde fast i hjulene, hvilket kan føre til fald. Brug robust fodtøj for at undgå skader.

Brug ikke underarmsrollatoren på glatte overflader.

Hold underarmsrollatoren væk fra ild og varme genstande.

Klatrer ikke på underarmsrollatoren.

3 Slå underarmsrollatoren ud / Sammen

Udfoldning: Løsn remmen mellem underarmsstøtterne (A) (gælder ikke for A-størrelse X-underarmsrollatoren). Løsn låseclipsen, der er placeret på siderammen (B). Tryk siderammerne ned og udad (C). Siderammerne glider fra hinanden. Du vil høre en klikkende lyd. Underarmsrollatoren er nu låst i åben position. Fastgør remmen (A).

At folde sammen: Løsn remmen mellem underarmsstøtterne (A). Træk i sædets rem (D), og tryk siderammerne sammen. Lås låseclipsen (E) over siderammen. **Transport af gangbordet:** Bær ikke gangbordet i udløsningsremmen eller bremsekablerne. Fold underarmsrollatoren sammen som vist i illustrationen (F). Bær kun underarmsrollatoren i rørene (G), når det er foldet sammen.

4 Underarmsstøtter / Håndtag / Memoryfunktion

Højdejustering: Skru låseskruen (A) (ca. 2 omgange) af. Juster underarmsstøtterne til passende højde, træk dem derefter op og ned lidt (C), indtil du hører en klikkende lyd. Fastspænd skruen (A) igen. Juster begge røer til samme højde.

Anbefalet højde: Stå mellem baghjulene. Slap af i skuldrene og hold albuerne i en 90-graders vinkel. Højden af underarmen støtter bør være på højden af albuerne. En sundhedsfaglig person skal hjælpe dig med justeringen af armlænen og håndtag, for at sikre den korrekte kropsholdning. **Justering af håndtagene:** Løsn skruen (H). Du kan nu trække håndtaget (B) baglæns eller skubbe det fremad. Det er også muligt at justere håndtagets vinkel. Når du har justeret håndtaget til den ønskede position, skal du stramme låsefanen (H) igen. Pas på, når du løsner/strammer låsehjulet for at undgå at beskadige fingrene.

Memoryfunktion: Vælg højden på underarmsstøtten (se talskala). Tæl synlige huller på bagsiden af håndtagene (G). Skru låseskruen (A) af. Træk røret (G) ud af rammen. Fastgørelsesstykket (D) følger nu håndtagsrøret. Flyt fastgørelsesstykket (D), så antallet af huller over det svarer til de tidligere optalte huller. Sæt den røde hukommelsesklods (E) på røret i det første tilgængelige hul under fastgørelsesstykket (D). Skub røret (G) og fastgørelsesstykket (D) ned og ind i siderammen (F). Skru låseskruen (A) halvvejs ind. Træk røret (G) op, indtil det stopper, og stram derefter låseskruen (A) korrekt. Fra nu af, når håndtaget er i den

laveste position, vil det stoppe ved den forudindstillede højde, når det trækkes op.

5 Bremseser

Sørg for, at bremseser virker før hver tur. Hvert bremsehåndtag (A) arbejder på hvert af baghjulene. *Kør eller skub ikke gangbordet, mens parkeringsbremseser er i brug!*

Parkeringsbremseser: Skub begge bremsehåndtag frem (A) for at aktivere parkeringsbremseser. Bemærk venligst, at håndtaget har en vis modstand, før du stopper og låser baghjulet. Træk bremsehåndtagene baglæns for at slippe parkeringsbremseser.

Bremseser: Træk bremsehåndtagene mod dig (B) for at reducere hastigheden. *Brug ikke kontinuerligt, mens underarmsrollatoren er i bevægelse.*

Justering/kontrol: Løsn møtrikken (C). Stram bremsekablet (D) med justeringskruen (E). Juster begge bremseklodser, så afstanden til hjuloverfladen er ca. 1 mm (F), og stram derefter møtrikken (C). Sørg for, at bremseser ikke justeres for stramt, og tryk fast ind i hjulenes gummi, når parkeringsbremsen aktiveres.

Vedligeholdelse: Rengør bremseklodsen (F) og bremsefjederen (G) ofte. Hjulene og bremseser kan udskiftes, hvis de er slidte eller beskadigede.

6 Sæde

Underarmsrollatoren har et sikkert og gennemsigtigt netsæde, så du kan se dine fødder, mens du går. Det kan nemt tørres med en fugtig klud, hvis det er nødvendigt. Parkeringsbremseser skal aktiveres, før sædet tages i brug. Skub begge bremsehåndtag frem, indtil de låser (A). Begge baghjul er nu låst. Sid med ryggen til kurven (B).

7 Kantbeskytter / Vippefunktion

Kantbeskyttere: Kantbeskyttere (A), som er foran baghjulene, forhindrer baghjulene i at sidde fast på hjørner, dørkarme osv.

Vippefunktion: For at bruge vippefunktion, skal du bruge den forreste del af basen og trykke ned på vippepesten (B), som er ved siden af baghjulet. Dette hjælper med at vippe underarmsrollatoren over dørtærskler, kanter osv. Bemærk: Vær forsigtig, når du passerer dørtrin og lignende.

Kurv

Kurven rummer op til 5 kg. Det kan tages af og vaskes ved 60 °C.

Transport

Underarmsrollatoren skal transporteres sammenklappet og i låst position (se afsnittet *Udfoldning/foldning*). Sørg for, at låseclipsen er låst, så gangbordet ikke kan folde sig ud utilsigtet. Vær forsigtig, når du lægger underarmsrollatoren ind i et køretøj, og vær opmærksom på at spænde det fast under transport.

Opbevaring

Underarmsrollatoren skal opbevares oprejst. Hvis den opbevares udendørs, skal den helst være under tag for at beskytte den. Efterlad ikke underarmsrollatoren uden opsyn. Anbring ikke tunge genstande oven på underarmsrollatoren under opbevaring.

Rengøring

Gangbordet kan rengøres med en fugtig klud. I tilfælde af ophobning af mudder og snavs kan en klud med et mildt vaskemiddel anvendes efterfulgt af skylning med lunkent vand. Brug ikke højtryksrensere og undgå at skylle direkte mod kuglelejer (i hjul og forgæfler). Brug ikke slibemidler eller dampvask. Tør gangbordet med en blød klud.

Desinfektion

Desinfektion må kun udføres af autoriseret personale. Kontakt din lokale forhandler eller dit mobilitetshjælpecenter. Under desinfektion skal der bæres tilstrækkeligt beskyttelsesudstyr, og desinfektionsmiddelproducentens anvisninger skal følges. Gangbordets overflade skal rengøres med en blød klud eller svamp og et godkendt kemisk desinfektionsmiddel indeholdende 70–80 % ethanol. Vi fraråder desinfektionsmiddel, der indeholder klor eller phenol. Brug ikke varmedesinfektion. *Producenten kan ikke holdes ansvarlig for skader eller skader, der opstår ved hjælp af skadeligt desinfektionsmiddel/-enheder eller desinfektion udført af uautoriseret personale.*

Inspektion / Vedligeholdelse / Genanvendelse

Det anbefales, at inspektion og vedligeholdelse udføres regelmæssigt (hyppigheden bestemmes af, hvordan og hvor ofte underarmsrollatoren bruges). Kontroller følgende elementer: Ramme, skruer, rør, håndtag, underarmsstøtter, bremses, bremsedele, hjul, sæde og tilbehør. Det gælder også, når underarmsrollatoren skal gøres klar til genbrug. Se de detaljerede instruktioner i denne vejledning om vedligeholdelse af bremses og rengøring/desinfektion. Den anbefalede vedligeholdelse er ikke et krav, og forebyggende vedligeholdelse er ikke påkrævet, forudsat at underarmsrollatoren bruges korrekt i overensstemmelse med disse brugsanvisninger.

Materiale / Genbrug

Underarmsrollatoren er lavet af plastbelagte aluminiumsrør, plastkoblinger og materiale lavet af plast og polyester. Der er lejer i alle hjul og gafler. De fleste dele kan genbruges. Smid underarmsrollatoren og emballagen ud i overensstemmelse med gældende regler i dit land. Hvis du ønsker mere information, bedes du kontakte de offentlige myndigheder.

Garanti

TOPRO Troja Walker² underarmsrollator er garanteret fri for fejl og mangler i 7 år. Skader forårsaget af forkert brug eller dele, der udsættes for naturligt slid (f.eks. bremseklods, bremsekabel, hjul, kurv, sæde og håndtag), er undtaget fra 7 års garanti. Hvis du vil have repareret i garantiperioden, skal du kontakte din mobilitetsbutik eller forhandler. Garantien vil være ugyldig, hvis uautoriserede reservedele og tilbehør er blevet eller bruges på produktet. Produktets forventede levetid anslås til 10 år, forudsat at det anvendes korrekt i overensstemmelse med disse brugsanvisninger og dets sikkerheds- og vedligeholdelsesinstruktioner.

8 Produktetiket

- 1 - Producent
- 2 - Se brugsanvisningen (blåt ikon på det nye produktmærke)
- 3 - Modelnavn
- 4 - Modelnummer
- 5 - Produktionsdato
- 6 - Serienummer
- 7 - Varenummer for global handel
- 8 - GS1 DataMatrix
- 9 - Maksimal brugervægt
- 10 - Den maksimale længde af underarmsrollator
- 11 - Den maksimale bredde/højde på underarmsrollator
- 12 - Beregnet til indendørs brug
- 13 - Medicinsk udstyr
- 14 - CE-mærkning (Dette produkt er i overensstemmelse med forordning (EU) 2017/745 om medicinsk udstyr)

Tilbehør

	TOPRO Art. No.
Ryglæn	814765
Bakke (NB: ikke til størrelse X)	814728
Antiskrid for bakke (NB: ikke til størrelse X)	814059
Stokkeholder	815358
Flaskeholder	814043
Krængningsstabilisator (størrelse M / S)	814729
Krængningsstabilisator (størrelse X)	814730
Enhåndsbremse	814026
Håndtag til ledsager af synshandicappede	814014
Taske med lynlås (NB: ikke for størrelse X)	814046
Navneskilt	814024
Slæbebremser (Rullemodstandssystem), par	814032
Iltflaskeholder (kun komprimeret, ikke flydende)	814009

Tilbehør monteret på underarmsrollatoren kan påvirke stabiliteten, vi anbefaler derfor at bruge dem med omhu. Tilbehøret kan bestilles separat for at gøre det muligt at tilpasse TOPRO Troja Walker² underarmsrollator til individuelle behov. Kontakt din mobilitetsbutik, forhandler eller TOPRO for at få et opdateret overblik over tilbehøret, eller besøg vores hjemmeside topromobility.com.

Onnittelut uuden TOPRO-rollaattorin valinnasta

Jokainen TOPRO-kävelypöytä kehitetään, suunnitellaan ja valmistetaan Norjassa. Tuote on lääkinnällisten laitteiden asetuksen (EU) 2017/745 mukainen. Se on testattu ja hyväksytty standardin EN ISO 11199-3:2005 mukaisesti. Tarkista tuote sen vastaanottamisen yhteydessä. Jos sinulla on kysyttävää, ota välittömästi yhteyttä jälleenmyyjään. Jos sinulla on ongelmia tämän käyttöohjeen lukemisessa, sähköinen versio on saatavana osoitteessa topromobility.com.

Käyttötarkoitus

TOPRO Troja Walker² tukee käyttäjiä, joiden tasapaino ja/tai kävelykyky on heikentynyt. Se on suunniteltu työntäväksi, ei vedettäväksi. Integroitu istuin tarjoaa käyttäjälle tarvittaessa mahdollisuuden levätä. Laitte on tarkoitettu aikuisten käyttöön. Pituus- ja painorajoitukset ovat voimassa. *Vasta-aiheita: Tuote ei sovellu henkilöille, joilla on heikkoutta käsivarsissa, erittäin huono tasapaino tai huomattava kognitiivinen toimintarajoite. Rollaattori on suunniteltu ja hyväksytty sisäkäyttöön tasaiselle alustalle.*

Suosittellemme, että ammattilainen opastaa sinulle rollaattorin oikeanlaisen käytön.

0 Tämän käyttöohjeen harmaat numeroidut ympyrät viittaavat numeroituun tietokuvaan ja sisäkansissa oleviin kuvituskuviin.

1 TOPRO-tuotteeseen tutustuminen

- | | |
|---|----------------------------------|
| A Kynnärnoja | H Kahvan lukitusruuvi |
| B Jarrukahva | I Kori |
| C Kahvaputki | J Sivurunko |
| D Jarruvaijeri | K Jarrupala / Reunasuojus |
| E Istuintangot / Kantokahva | L Kallistustoiminto |
| F Istuin, jossa on hihna taittomekanismia varten | M Tukivaijeri |
| G Lukituspuristin | N Tuotteen etiketti |

2 Turvallisuus

Ole varovainen rollaattoria kokoon taittaessa tai avatessa, ettet satuta sormiasi.

Varo laittamasta sormiasi avoimiin reikiin tai rollaattorin osien väliin.

Varmista, että kahvojen korkeussäädön lukitusruuvit on lukittu tiukasti.

Varmista paikoillaan tai pysäköitynä ollessa, että molempien puolten seisontajarrut ovat lukitussa asennossa (A).

Älä käytä rollaattoria portaissa. Ole varovainen ylittäessäsi kynnyksiä jne.

Tarkista ennen jokaista käyttökertaa jarrut, ja että rollaattori lukittuu avattuun asentoon.

Älä käytä laitetta raskaiden kuormien tai henkilöiden kuljettamiseen.

Huomaa, että jotkut rollaattorin osat voivat tuntua kuumilta tai kylmiltä, kun ne altistuvat äärimmäisille lämpötiloille.

Älä muuntele tuotetta, koska se voi vaarantaa turvallisuutesi ja takuu raukeaa.

Ennen kuin istut istuimella (C), varmista, että molempien puolten seisontajarrut ovat lukitussa asennossa (A).

Kaatumisvaaran välttämiseksi älä nojaa tai kurkota sivulle tai rollaattorin taakse istuma-asennossa (D). Älä kallista rollaattoria liikaa sivuttain kaatumisvaaran välttämiseksi. Samasta syystä laukkuja tms. ei tule koskaan ripustaa rollaattorin kahvoihin.

Oikean tuen ja turvallisuuden takaamiseksi kävele suoraan ja varmista, että rollaattori on mahdollisimman lähellä kehoasi (E). Kävele takapyörien välissä (F), älä niiden takana (G).

Huomaa, että alamäessä rollaattori voi liikkua nopeammin kuin sinä, mikä voi aiheuttaa kaatumisvaaran. Aktivoi ajojarrut nopeuden säätämiseksi (B).

Ole varovainen, kun käytät väliä hameita tai housuja, koska ve voivat tarttua pyöriin, mikä voi johtaa kaatumiseen. Käytä tukevia jalkineita vammojen välttämiseksi.

Älä käytä rollaattoria liukkailla pinnoilla.

Pidä rollaattori etäällä tules- ja kuumista esineistä.

Älä kiipeä rollaattorin päälle.

3 Avaaminen / Kokoon taittaminen

Avaaminen: Löysää hihna kyynärnojienvälissä (A) (ei koske X-kokoista rollaattoria). Vapauta istuintankoihin sijoitettu lukituspuristin (B). Paina istuintangot alas ja ulospäin (C). Sivurungot liukuvat erilleen. Paina istuintankoja alas. Kuulet naksahduksen. Rollaattori on nyt lukittu avoimeen asentoon. Kiristä hihna (A).

Taittaminen: Löysää hihnaa kyynärnojienvälissä (A). Vedä istuimen hihnaa (D) ja paina sivurunkoja yhteen. Lukitse puristin (E) istuintankojen päälle.

Rollaattorin kantaminen: Rollaattoria ei saa kantaa istuinhihnasta tai jarruvaijereista. Taita rollaattori kokoon kuvan (F) mukaisesti. Kanna rollaattoria istuintangoista (G), kun se on taitettuna.

4 Kahvat

Korkeudensäätö: Avaa lukitusruuvi (A) (n. 2 kierrosta). Säädä kyynärnojienvälissä sopivalle korkeudelle ja vedä niitä sitten hieman ylös ja alas (C) kunnes kuulet naksahduksen. Kiristä lukitusruuvi (A) uudelleen. Säädä molemmat putket samalle korkeudelle. **Suosittelukorkeus:** Seiso takapyörien välissä.

Rentouta hartiasi ja pidä kyynärpäsi 90 asteen kulmassa. Kyynärnojat tulee säätää kyynärpäidesi korkeudelle. Ammattilaisen on syytä auttaa sinua kyynärnojienvälissä ja kahvojen säätämässä, jotta voidaan varmistaa oikea asento.

Kahvojen säätäminen: Avaa lukitusruuvi (H). Voit nyt vetää kahvaa (B) taaksepäin tai työntää sitä eteenpäin. Myös kahvan kulman säätäminen on mahdollista. Kun kahva on säädetty haluttuun asentoon, kiristä lukitusruuvi (H) uudelleen. Ole varovainen avatessasi / kiristäessäsi lukitusruuvia, ettet satuta sormiasi.

Muistitoiminto: Päätä kyynärnojan putken korkeus. Laske kahvaputkien takana näkyvät reiät (G). Löysää lukitusruuvi (A). Vedä putkea (G) ulos rungosta. Kiinnityskappale (D) seuraa nyt kahvaputkea. Liikuta kiinnityskappaletta (D) siten, että reikien määrä sen yläpuolella on sama, kuin aiemmin laskemasi reikien määrä. Sovita punainen muistipala (E) putkeen ensimmäiseen käytettävissä olevaan reikään kiinnityskappaleen alapuolella (D). Työnnä putkea (G) ja kiinnityskappaletta (D) alaspäin sivurunkoon (F). Ruuvaa lukitusruuvi (A) puoliksi sisään. Vedä putkea (G) ylöspäin, kunnes se pysähtyy ja kiristä sitten lukitusruuvi (A) kunnolla. Tästä lähtien, kun ala-asennossa olevia kahvaputkia vedetään ylöspäin, ne pysähtyvät esiasetetulle korkeudelle.

5 Jarrut

Varmista ennen jokaista matkaa, että jarrut toimivat. Kumpikin jarrukahva (A) vaikuttaa molempiin takapyöriin. *Älä aja tai työnnä rollaattoria seisontajarrujen ollessa käytössä!*

Seisontajarrut: Paina jarrukahvoja eteenpäin (A) seisontajarrujen aktivoimiseksi. Huomaa, että kahvassa tuntuu hieman vastusta ennen kuin se pysähtyy ja lukitsee takapyörän. Vedä jarrukahvoja taaksepäin seisontajarrujen vapauttamiseksi.

Ajojarrut: Vedä jarrukahvoja itseesi päin (B) vauhdin hidastamiseksi. *Älä käytä jatkuvasti rollaattorin ollessa liikkeessä.*

Säätäminen / Tarkistaminen: Löysää mutteria (C). Kiristä jarruvaijeria (D) säätöruuvilla (E). Säädä molemmat jarrupalat (F) siten, että etäisyys pyörän pintaan on n. 1 mm ja kiristä sitten mutteri (C). Varmista, että jarruja ei säädetä liian tiukalle niin, että ne painavat pyörien kumeihin kovaa seisontajarrun ollessa päällä.

Ylläpito: Puhdista jarrupala (F) ja jarrujousi (G) säännöllisesti. Pyörät ja jarrut voidaan vaihtaa, jos ne ovat kuluneet tai vaurioituneet.

6 Istuin

Rollaattorissa on turvallinen ja kätevä verkkoistuin, jonka läpi näkee maahan kävellessä. Se voidaan tarvittaessa helposti pyyhkiä liinalla. Seisontajarrujen on oltava päällä ennen istuimen käyttöä. Työnnä molempia jarrukahvoja eteenpäin kunnes ne lukittuvat (A). Molemmat takapyörät ovat nyt lukossa. Istu selkää koria kohti (B).

7 Reunasuojus / Kallistustoiminto

Reunasuojus: Jarrupalat (A), jotka ovat takapyörien edessä, estävät takapyöriä tarttumasta kulmiin, ovenkarmeihin tms.

Kallistustoiminto: Käytä kallistustoimintoa painamalla jalkaterän etuosalla kallistuspoljinta (B), joka on takapyörän vieressä. Tämä auttaa kallistamaan rollaattoria kynnysten, reunojen yms. yli. Huomaa: Ole varovainen ylittäessäsi kynnyksiä jne.

Kori

Korin kantavuus on jopa 5 kiloa. Se voidaan irrottaa ja pestä varovasti 60 °C:ssa.

Kuljettaminen

Rollaattori on kuljetettava kokoon taitettuna lukitusasennossa (*katso kappale Avaaminen / Kokoon taittaminen*). Varmista, että lukituspuristin on paikoillaan, jotta rollaattori ei pääse avautumaan tahattomasti. Ole varovainen lastattaessa rollaattoria ajoneuvoon ja kiinnitä huomiota sen kiinnittämiseen.

Varastointi

Rollaattori on säilytettävä pystyasennossa. Jos sitä säilytetään ulkona, rollaattorin on oltava peitettynä sen suojaamiseksi. Älä jätä rollaattoria valvomatta. Älä aseta painavia esineitä rollaattorin päälle varastoinnin aikana.

Puhdistaminen

Rollaattori voidaan puhdistaa kostealla liinalla. Jos mutaa ja likaa on kertynyt, voidaan käyttää liinaa, johon on lisätty mietoa pesuainetta, ja sen jälkeen huuhdella haalealla vedellä. Älä käytä korkeapainepesureita ja vältä huuhtelua suoraan kuulalaakereita vasten (pyörissä ja etuhaarukoissa). Älä käytä hankausaineita tai höyrypesua. Kuivaa rollaattori pehmeällä liinalla.

Desinfiointi

Desinfioinnin saa suorittaa vain valtuutettu henkilökunta. Ota yhteyttä paikalliseen jälleenmyyjään tai apuvälinekeskukseen. Desinfioinnin aikana on käytettävä riittäviä suojavarusteita ja noudatettava desinfiointiaineen valmistajan ohjeita. Pinta on puhdistettava pehmeällä liinalla tai sienellä ja hyväksytyllä kemiallisella desinfiointiaineella, joka sisältää 70–80 % etanolia. Suosittelemme, ettei klooria tai fenolia sisältävää desinfiointiainetta käytetä. Älä käytä lämpödesinfointia. *Valmistaja ei ole vastuussa vahingoista tai loukkaantumisista, jotka johtuvat haitallisista desinfiointiaineista/-toimenpiteistä tai luvattoman henkilökunnan suorittamasta desinfioinnista.*

Tarkastus / Huolto / Uudelleenkäyttö

On suositeltavaa, että tarkastus ja huolto suoritetaan säännöllisesti (tiheys määräytyy rollaattorin käyttötavan ja -tiheyden mukaan). Tarkista seuraavat osat: runko, ruuvit, putket, kahvat, jarrut, jarrujen osat, pyörät, istuin ja lisävarusteet. Tämä pätee myös silloin, kun rollaattori valmistellaan uudelleenkäyttöä varten. Katso tämän käyttöohjeen yksityiskohtaiset ohjeet jarrujen huoltoa sekä puhdistusta/desinfointia koskien. Suositeltu huolto ei ole vaatimus, eikä ennaltaehkäisevää huoltoa tarvita edellyttäen, että rollaattoria käytetään tämän käyttöohjeen mukaisesti.

Materiaali / Kierrätys

Rollaattori on valmistettu muovipäällysteisistä alumiiniputkista, muoviliittimistä sekä muovista ja polyesteristä valmistetusta materiaalista. Kaikissa pyörissä ja haarukoissa on kuulalaakerit. Useimmat rollaattorin osat voidaan kierrättää. Hävirä rollaattori ja sen pakkaus maassasi voimassa olevien määräysten mukaisesti. Lisätietoja saat viranomaisilta.

Takuu

TOPRO Troja Walker² on taattu ilman vikoja ja valmistusvirheitä 7 vuoden ajan. Takuu ei kata väärästä käytöstä aiheutuvia vaurioita tai luonnolliselle kulumiselle alttiita osia (esim. jarrupala, jarruvaijeri, pyörä, kori, istuin ja kahva). Jos tuotetta pitää korjata takuuaikana, ota yhteyttä apuvälineen toimittajaan tai paikalliseen jälleenmyyjään. Takuu raukeaa, jos tuotteessa on käytetty tai käytetään luvattomia varaosia ja lisävarusteita. Tuotteen odotettu käyttöikä on arviolta 10 vuotta, edellyttäen että sitä käytetään oikein tämän käyttöohjeen ja turvallisuus- ja huolto-ohjeiden mukaisesti.

8 Tuotteen etiketti

- 1 - Valmistaja
- 2 - Tutustu käyttöohjeisiin (sininen kuvake uudessa tarrassa)
- 3 - Mallin nimi
- 4 - Mallinumero
- 5 - Valmistuspäivämäärä
- 6 - Sarjanumero
- 7 - Tuotetunniste (GTIN-koodi)
- 8 - GS1 DataMatrix
- 9 - Käyttäjän enimmäispaino
- 10 - Rollaattorin enimmäispituus
- 11 - Rollaattorin enimmäisleveys/-korkeus
- 12 - Tarkoitettu sisäkäyttöön
- 13 - Lääkinnällinen laite
- 14 - CE-merkintä (Tämä tuote on lääkitsevien laitteiden asetuksen (EU) 2017/745 mukainen.)

Lisävarusteet

	TOPRO Tuotenro.
Selkätuki	814765
Tarjotin (Huom.: ei koolle X)	814728
Liukumaton matto tarjottimelle (Huom.: ei koolle X)	814059
Kynnärsauvan pidike	815358
Pulloteline	814043
Vakautustanko (koko M / S)	814729
Vakautustanko (koko X)	814730
Yhden käden jarru	814026
Ohjauskahva näkövammaisille	814014
Vetoketjullinen takalaukku (Huom.: ei koolle X)	814046
Nimilappu	814024
Vierintävastusjärjestelmä, pari	814032
Kori happipullolle (vain paineellinen, ei nestemäinen)	814009

Kävelypöytään asennetut lisävarusteet voivat vaikuttaa sen vakauteen, joten suosittelemme käyttämään niitä varoen. Lisävarusteet ovat tilattavissa erikseen TOPRO Troja Walker²:n räättälöimiseksi yksilöllisiin tarpeisiin. Ota yhteyttä jälleenmyyjään tai TOPROon, niin saat päivitetyn yleiskatsauksen saatavilla olevista lisävarusteista tai käy osoitteessa topromobility.com.

Til hamingju með valið á nýrri TOPRO hárrí göngugrind

Allar göngugrind TOPRO eru þróaðar, hannaðar og framleiddar í Noregi. Varan er í samræmi við reglugerð (EBE) 2017/745 um lækningatæki. Hún er prófuð og viðurkennd í samræmi við EN ISO 11199-3:2005. Vinsamlegast athugaðu vöruna við viðtöku hennar. Vinsamlegast hafðu samband við hjálpartækjaverslun eða söluaðila ef þú hefur einhverjar fyrirspurnir. Ef þú ert í vandræðum með að lesa þessa notendahandbók er rafræn útgáfa tiltæk á topromobility.com.

Fyrirhuguð notkun

TOPRO Troja Walker² er ætlað að veita stuðning til notenda með skert jafnvægisgiskyn og/eða göngugetu. Hún er hönnuð til ýta áfram, en ekki draga. Innfellda sætið gefur notandanum tækifæri til að hvílast ef þess er þörf. Göngugrindin hentar fyrir fullorðna einstaklinga. Hæðar- og þyngdartakmarkanir eiga við. *Frábendingar: Varan hentar ekki fyrir einstaklinga með lítinn styrkleika í örmum, mjög lélegt jafnvægisgiskyn eða talsverða vitsmunalega fötlun. Varan er hönnuð og viðurkennd fyrir notkun innandyra á sléttu yfirborði.*

Mælt er með þjálfun hjá fagaðila til að kynna þá göngugrindinni og læra hvernig á að nota hana rétt.

0 Gráu númeruðu hringirnir í þessari notendahandbók vísa til númeraðra myndrænna upplýsinga og skýringarmynda á innri hlið kápu.

1 Kynntust TORPO-vörinni þinni

- | | |
|--|------------------------------------|
| A Stuðningur fyrir framhandleggi | H Lášhjól fyrir handfang |
| B Bremsustöng | I Karfa |
| C Handfangsrör | J Hliðargrind |
| D Bremsukapall | K Hemlaklossar / Brúnarhlíf |
| E Sætisstangir / Burðarhandfang | L Hallaaðgerð |
| F Sæti með ól fyrir búnað til að leggja saman göngugrindina | M Stuðningsól |
| G Klemmulás (smella) | N Framleiðslumiði |

2 Öryggi

Farðu varlega svo þú skaðir ekki á þér fingurna þegar þú leggur saman og opnar göngugrindina.

Gættu að því setja ekki fingurna á þér í göt eða á milli fastra hluta.

Gættu að því að læsa hjólunum tryggilega við hæðarstillingu á handföngum.

Gakktu úr skugga um að stöðuhemlar á báðum hliðum séu í læstri stöðu (A) þegar háa göngugrindin er kyrrstæð eða hefur verið lagt.

Ekki nota göngugrindina í tröppum. Sýndu varkárni þegar farið er yfir þröskulda o.s.frv.

Athugaðu bremsurnar fyrir hverja notkun og hvort að háa göngugrindin læsist í opinni stöðu.

Ekki nota búnaðinn til að flytja þungan farm eða einstaklinga.

Vertu meðvitaður um að sumir hlutar háa göngugrindarinnar geta verið heitir eða kaldir þegar hún er óvarin gegn mjög háu eða mjög lágu hitastigi.

Ekki breyta vörinni, þar sem það gæti stefnt öryggi þínu í hættu og ógilt ábyrgðina.

Gakktu úr skugga um að stöðuhemlar á báðum hliðum séu í læstri stöðu (A) áður en þú sest á sætið (C).

Til að varast hættuna á falli skaltu ekki halla þér eða beygja til hliðanna eða yfir bak háu göngugrindarinnar þegar þú situr á henni (D). Ekki halla háu göngugrindinni of mikið til hliðanna til að draga úr hættu á falli. Af sömu ástæðu mega þú ekki, o.s.frv. aldrei hanga á handföngunum.

Til að veita réttan stuðning og öryggi, skaltu ganga beinn og vera viss um að háu göngugrindinni sé haldið eins nærri líkamanum og hægt er (E). Gakktu milli afturhjóla (F), ekki aftan við þau (G).

Gættu að því að háa göngugrindin getur runnið hraðar niður brekkur en þinn gönguhraði leyfir sem getur leitt til frekari hættu á að detta. Virkjaðu bremsur til að stjórna hraðanum (B).

Gættu að því að vera ekki í skyrta og buxum sem flaksa til, þar sem þær gætu fest sig í hjólunum sem gæti leitt til falls. Vertu í traustum skóm til að forðast meiðsl.

Ekki nota háu göngugrindina á sleipu yfirborði.

Haltu háu göngugrindinni frá eldi og heitum hlutum.

Ekki klifra á háu göngugrindinni.

3 Opna / Leggja saman

Opna: Losaðu ólina sem er staðsett á stuðningi fyrir framhandleggja (A) (á ekki við um háa göngugrind í stærð X). Losaðu klemmulásinn (smelluna) sem er staðsettur á sætisstöngunum (B). Ýttu sætisstöngunum niður og út (C). Hliðargrindurnar munu renna í sundur. Ýttu niður sætisstöngunum. Þú munt heyra smell. Háa göngugrindin er núna læst í opinni stöðu. Festu ólina (A).

Leggja saman: Losaðu ólina sem er milli stuðnings fyrir framhandleggja (A). Togaðu ólina á sætið (D) og ýttu hliðargrindunum saman. Læstu klemmunni (E) yfir sætisstangirnar.

Burður háu göngugrindarinnar: Háu göngugrindina má ekki bera með því að nota sætisólina eða bremsukapla. Leggðu háu göngugrindina saman eins og sýnt er á skýringarmyndinni (F). Berðu háu göngugrindina með því að nota sætisstangir (G) þegar hún er samanlögð.

4 Handföng

Hæðarstilling: Losaðu lášhjólíð (A) (um það bil 2 snúningar). Stilltu stuðningsrör framhandleggja í hentuga hæð, togaðu þau síðan svolítið upp og niður (C), þangað til að þú heyrir smell. Hertu lášhjólíð (A) aftur. Stilltu bæði handföng í sömu hæð. **Ráðlögð hæð:** Statu milli afturhjóla. Slappaðu af í öxlum og haltu olnbogum í 90 gráðu horni. Hæð stuðnings fyrir framhandleggja skal festa í sömu hæð og olnboga. Fagaðili ætti að hjálpa þér með stillingu á stuðningi fyrir framhandleggja og handfanga til að tryggja rétta stöðu.

Stilling handfanga: Losaðu lášhjólíð (H). Þú getur togað handfangið (B) aftur eða ýtt því fram. Það er einnig mögulegt að stilla horn handfangsins. Hertu lášhjólíð (H) aftur þegar þú ert búinn að stilla handfangið í nauðsynlega stöðu. Farðu að með gát, svo þú klemmir ekki á þér fingurna þegar þú losar/herðir lášhjólíð.

Minnisaðgerð: Ákveddu hæð á stuðningsröri framhandleggja. Teldu sjáanleg göt aftan á handfangsrörum (G). Losaðu lášhjólíð (A). Togaðu rörið (G) út úr grindinni. Festingin (D) mun fylgja handfangsrörinu. Færðu festinguna (D), þannig að tala gatanna fyrir ofan er jöfn áðurtöldum götum. Komdu rauða minni-skubbum (E) fyrir á handfangsrörinu í fyrsta tiltæka gatinu undir festingarstykkinu (D). Ýttu handfangsrörinu (G) og festingarstykkinu (D) niður og inn í hliðargrindina (F). Skrufaðu lášhjólíð (A) hálfu leið inn. Togaðu handfangið (G) upp, þangað til að það stöðvast og hertu lášhjólíð (A)

tryggilega. Héðan í frá, þegar handfangið er í lægstu stöðu, mun það stoppa í forstilltri stöðu þegar það er togað upp.

5 Bremsur

Gakktu úr skugga um að bremsurnar virki fyrir hverja ferð. Hver bremsustöng (A) fyrir sig virkar á hvert afturhjul. *Ekki keyra eða ýta háu göngugrindinni þegar stöðuhemlar eru í notkun!* **Stöðuhemlar:** Ýttu báðum bremsustöngum (A) niður, þangað til að þær læsast. Vertu meðvitaður um að stöngin hefur svolítið viðnám áður en hún stöðvar og læsir afturhjóli. Togaðu bremsustangirnar aftur til að losa stöðuhemla.

Aksturshemlar: Togaðu báðar bremsustangir (B) upp til að draga úr hraða. *Ekki nota stöðugt þegar háa göngugrindin er á hreyfingu.*

Stilling / Skoðun: Losaðu róna (C). Hertu bremsukapalinn (D) með stilliskrúfunni (E). Stilltu báða bremsuklossa (F) þannig að fjarlægðin til yfirborðs hjólsins er um það bil 1 mm og hertu róna (C). Gakktu úr skugga um að bremsurnar séu ekki stilltar of nálægt og ýti fast á gúmmí hjólsins þegar stöðuhemillinn er á. **Viðhald:** Þrífðu bremsuklossana (F) og bremsufjöðrina (G) reglulega. Hægt er að skipta um hjólin og bremsurnar ef þau eru slitin eða skemmd.

6 Sæti

Háa göngugrindin er með öruggt og þægilegt netsæti sem veitir yfirsýn yfir leiðina sem gengin er. Auðvelt er að þrifa það með klúti ef þess er þörf. Stöðuhemlarnir verða að vera virkir áður en sætið er notað. Ýttu báðum bremsustöngum niður, þangað til að þær læsast (A). Bæði hjól eru núna læst. Sittu með bakið upp að körfunni (B).

7 Hlíf á brún / Hallaaðgerð

Hlíf á brún: Hlífur á brúnir (A), sem eru framan við afturhjólin, koma í veg fyrir að afturhjólin festist í hornum, dyrakömrum, o.s.frv.

Hallaaðgerð: Til að nota hallaaðgerðina skal nota framhluta fótarsins og ýta niður hallafótstiginu (B) sem er fyrir aftan afturhjólið. Þetta hjálpar til að halla háu göngugrindinni yfir þröskulda, brúnir, o.s.frv. Vinsamlegast athugaðu: Sýndu varkarni þegar farið er yfir þröskulda o.s.frv.

Karfa

Burðargeta körfunnar er upp að 5 kílógrömmum. Það er hægt að fjarlægja hana og þvo varfærnislega við allt að 60° C hita.

Flutningur

Háu göngugrindina verður að flytja í samanlagðri og læstri stöðu (*sjá efnisgreinina Opna / Leggja saman*). Tryggðu að klemmulásinn (smellan) sé á, þannig að háa göngugrindin geti ekki opnast óviljandi. Farðu varlega þegar þú kemur háu göngugrindinni fyrir í ökutæki. Gakktu úr skugga um að þú festir hana tryggilega.

Geymsla

Háu göngugrindina á að geyma í uppréttri stöðu. Ef hún er geymd utandyra, verður hún að vera undir hlíf til að verja hana. Ekki skilja háu göngugrindina eftir án eftirlits. Ekki setja þunga hluti ofan á háu göngugrindina meðan á geymslu stendur.

Þrif

Best er að þrifa göngugrindina með rökum klút. Ef mikil óhreinindi hafa safnast upp á göngugrindinni má nota klút með mildu þvottaefni við þrif og skola hana svo með volgu vatni. Notið ekki háþrýsttæki við þrif í á göngugrindinni og forðist að sprauta beint á dekkinn og gafflana að framanverðu. Notið ekki sterk efni, grófa klúta eða svampa á göngugrindina né gufupvott. Þurrkið göngugrindina með því að nota mjúkan klút.

Sóttþreinsun

Sóttþreinsun má eingöngu vera framkvæmd af viðurkenndum aðila. Vinsamlegast hafid samband við þinn sóluaðila eða hjálpartækjamiðstöð. Við sóttþreinsun skal klæðast fullnægjandi hlífðarfötum og fylgja skal leiðbeiningum frá famleiðanda vörunnar. Yfirborð göngugrindarinnar á alltaf að þrifa með mjúkum klúti eða svampi og með viðurkenndu sóttþreinsiefni sem inniheldur 70–80% etanol. Við mælum ekki með sóttþreinsiefni sem inniheldur klór eða fenól. Notið ekki heitt sóttþreinsiefni. *Framleiðandi er ekki ábyrgur fyrir hvers konar skemmdum sem geta átt sér stað með skaðlegu sóttþreinsiefni eða með sóttþreinsun sem er ekki frá viðurkenndum aðila.*

Skoðun / Viðhald / Endurnotkun

Það er mælt með því að skoðun og viðhald séu framkvæmd reglulega (tíðni er ákveðin af því hvernig og hve oft háa göngugrindin er notuð). Athugaðu eftirfarandi atriði: Grind, skrufur, handföng, handfangsrör, stuðning fyrir framhandlegg, bremsur, bremsuhluta, hjól, sæti og fylgihluti. Þetta á einnig við um hvenær háa göngugrindin er tilbúin til endurnotkunar. Vinsamlegast skoðaðu ítarlegar leiðbeiningar í þessari notendahandbók um viðhald á bremsum og þrif/sóttreinsun. Ráðlagt viðhald er ekki krafa og ekkert forvarnarviðhald er nauðsynlegt að því tilskyldu að háa göngugrindin sé notuð eins og fyrirhugað er og í samræmi við þessa notendahandbók.

Efni / Endurvinnsla

Háa göngugrindin er gerð úr plasthúðuðumálrum, plasttengjum og efni gerðu úr plasti og pólýestri. Það eru kúlulegur í öllum hjólum og göfflum. Hægt er að endurvinnna flesta hluta göngugrindarinnar. Fargaðu háu göngugrindinni og umbúðum hennar í samræmi við viðeigandi reglugerðir í þínu landi. Hafðu samband við opinber yfirvöld fyrir frekari upplýsingar.

Ábyrgð

TOPRO Troja Walker² tryggir að háa göngugrindin sé laus við galla og bilanir í 7 ár. Skemmdir sem eru vegna rangrar notkunar eða þeir hlutar göngugrindarinnar sem eru óvarðir gegn náttúrulegri úreldingu og sliti (t.d. bremsuklossar, bremsukapall, hjól, karfa, sæti og handfang) eru undanþegnir 7 ára ábyrgðinni. Vinsamlegast hafðu samband við næstu hjálpertækjaverslun eða söluaðila fyrir viðgerðir meðan á ábyrgðartímabilinu stendur. Ábyrgðin ógildast ef óheimilir varahlutir eða fylgihlutir hafa verið notaðir eða eru notaðir á vörunni. Áætlaður endingartími vörunnar er 10 ár ef göngugrindin er notuð á réttan hátt og í samræmi við þessa notendahandbók og öryggis- og viðhaldsleiðbeiningar.

8 Framleiðslumiði

- 1 - Framleiðandi
- 2 - Lestu leiðbeiningar fyrir notkun (bláa táknið á nýju merkingunni)
- 3 - Tegundarnafn
- 4 - Tegundarnúmer
- 5 - Framleiðsludagsetning
- 6 - Raðnúmer
- 7 - Vörunúmer fyrir alþjóðavíska (Global Trade Item Number)
- 8 - GS1 DataMatrix
- 9 - Hámarks þyngd notanda
- 10 - Hámarks lengd hárrar göngugrindar
- 11 - Hámarks breidd / hæð hárrar göngugrindar
- 12 - Fyrirhuguð notkun innan- og utandyra
- 13 - Lækningatæki
- 14 - CE-merking (Þessi vara samræmist Reglugerð um Lækningatæki (EU) 2017/745)

Fylgihlutir

	TOPRO-vörunúmer
Bakstuðningur	814765
Bakki (Ath.: ekki fyrir stærð X)	814728
Stöm motta fyrir bakka (Ath.: ekki fyrir stærð X)	814059
Hækjufesting	815358
Flöskufesting	814043
Stöðuleikastöng (stærð M / S)	814729
Stöðuleikastöng (stærð X)	814730
Einnar handar bremsa	814026
Leiðbeiningarhandfang fyrir sjónskerta	814014
Poki að aftan með rennilás (Ath.: ekki fyrir stærð X)	814046
Merkisspjald	814024
Dragbremsa (Renniviðnámskerfi), par	814032
Karfa fyrir súrefnisflösku (aðeins þjappað súrefni, ekki vökvi)	814009

Fylgihlutir sem festir eru á háu göngugrindina geta haft áhrif á stöðugleika. Við ráðleggjum þér því að nota þá með varúð. Hægt er að kaupa fylgihluti sér til að sérsníða TOPRO Troja Walker² háu göngugrindina að þörfum hvers og eins. Hafðu samband við hjálpertækjaverslun, söluaðila eða TOPRO fyrir uppfært yfirlit á fánlegum fylgihlutum eða farðu á heimasíðu okkar topromobility.com.

Félicitations pour votre choix d'un nouveau déambulateur TOPRO

Chaque déambulateur TOPRO est développé, conçu et fabriqué en Norvège. Le produit est conforme au règlement (UE) 2017/745 sur les dispositifs médicaux. Il est testé et approuvé selon la norme EN ISO 11199-3 : 2005. À la réception de la marchandise, veuillez vérifier votre produit. Si vous avez des questions, veuillez contacter immédiatement votre boutique de mobilité ou votre revendeur. Si vous rencontrez des difficultés pour lire ce manuel d'utilisation, une version électronique est disponible sur topromobility.com.

Utilisation prévue

TOPRO Troja Walker² apporte un soutien aux utilisateurs ayant un équilibre réduit et / ou une capacité de marche réduite. Il est conçu pour être poussé, pas tiré. Le siège intégré offre à l'utilisateur la possibilité de se reposer si nécessaire. L'utilisateur visé est un adulte. Des restrictions de taille et de poids s'appliquent. *Contre-indications : Le produit ne convient pas aux personnes ayant une faible force dans les bras, avec un très mauvais équilibre ou avec des troubles cognitifs considérables. Le déambulateur est conçu et approuvé pour une utilisation à l'intérieur sur un sol stable.* Pour apprendre à connaître le déambulateur et apprendre à l'utiliser correctement, une formation par une personne qualifiée est conseillée.

0 Les cercles numérotés gris de ce manuel d'utilisation font référence au graphique d'information numéroté et aux illustrations à l'intérieur de la couverture.

1 Apprenez à connaître votre produit TOPRO

- | | |
|--|---|
| A Support d'avant-bras | H Mollette de verrouillage du support d'avant-bras |
| B Levier de frein | I Filet à provisions |
| C Tube de support d'avant-bras | J Cadre latéral |
| D Câble de frein | K Bloc de frein / Protecteur de bord |
| E Barres de siège / poignée de transport | L Aide au basculement |
| F Siège avec ruban pour mécanisme de pliage | M Sangle de raccordement |
| G Bride de sécurité | N Étiquette du produit |

2 Sécurité

Lorsque vous pliez et dépliez, soyez conscient afin de ne pas vous blesser aux doigts.

Attention à ne pas mettre vos doigts dans des trous ouverts ou entre des pièces fixes.

Assurez-vous que la molette de verrouillage pour le réglage en hauteur du support d'avant-bras est bien verrouillée.

À l'arrêt ou en stationnement, assurez-vous que les freins de stationnement des deux côtés sont activés (A).

N'utilisez pas le déambulateur dans les escaliers. Soyez prudent lorsque vous passez un seuil, etc.

Vérifiez les freins avant chaque utilisation et que le déambulateur se verrouille bien en position dépliée.

N'utilisez pas le déambulateur pour transporter des charges lourdes ou des personnes.

Sachez que certaines parties du déambulateur peuvent être chaudes ou froides lorsqu'elles sont exposées à des températures extrêmes

Ne modifiez pas le produit car cela pourrait mettre votre sécurité en danger et la garantie deviendra nulle.

Avant de vous asseoir sur le siège (C), assurez-vous que les freins de stationnement des deux côtés sont activés (A).

Pour éviter le risque de chute, ne vous penchez pas latéralement ou vers l'arrière du déambulateur en position assise (D). N'inclinez pas trop le déambulateur latéralement, pour éviter le risque de chute. Pour la même raison, les sacs et autres objets ne doivent jamais être accrochés aux poignées.

Pour apporter un bon soutien en toute sécurité, marchez droit et assurez-vous que le déambulateur est maintenu aussi près de votre corps que possible (E). Marchez entre les roues arrière (F), pas derrière elles (G).

Sachez que le déambulateur peut rouler plus vite que vous ne marchez en descente, ce qui peut vous exposer à un risque de chute. Activez les freins de marche pour régler la vitesse (B).

Soyez prudent lorsque vous portez des jupes et des pantalons larges, car ils pourraient se prendre dans les roues, ce qui pourrait entraîner une chute. Portez des chaussures robustes pour éviter les blessures.

N'utilisez pas le déambulateur sur des surfaces glissantes.

Gardez le déambulateur à l'écart du feu et des objets chauds.

Ne montez pas sur le déambulateur.

3 Dépliage / Pliage

Dépliage : Ôter la sangle de raccordement entre les supports d'avant-bras (A) (ne s'applique pas au déambulateur en taille X). Ouvrez la bride de sécurité positionnée au niveau des barres de siège (B). Appuyez sur les barres de siège vers le bas et vers l'extérieur. Les cadres latéraux glisseront séparément. Appuyez sur les barres de siège (C). Vous entendrez un click. Le déambulateur est maintenant verrouillé dans sa position ouverte. Remettre en place la sangle de raccordement.

Pliage : Ôter la sangle de raccordement entre les supports d'avant-bras (A). Tirez le ruban sur le siège (D) et appuyez sur les cadres latéraux. Verrouillez la bride (E) sur les barres de siège.

Porter le déambulateur : Le déambulateur ne doit pas être transporté par le ruban du siège ou par les câbles de frein. Pliez le déambulateur comme indiqué sur l'illustration (F). Portez le déambulateur par les barres de siège (G) lorsqu'il est plié.

4 Supports d'avant-bras / Poignées / Fonction de mémoire

Réglage de la hauteur : Dévissez la molette de verrouillage (A) (env. 2 tours). Ajustez les tubes de support d'avant-bras à une hauteur appropriée, puis tirez-les légèrement vers le haut et vers le bas (C) jusqu'à ce que vous entendiez un click. Serrez à nouveau la molette de verrouillage (A). Réglez les deux tubes à la même hauteur. **Hauteur recommandée :** Se tenir entre les roues arrière. Détendez vos épaules et tenez vos coudes dans un angle de 90 degrés. Le niveau des supports d'avant-bras doit être fixé au niveau de vos coudes. Un professionnel peut vous aider à ajuster les supports d'avant-bras et les poignées, pour vous aider à assurer une posture correcte.

Réglage des poignées : Dévissez la roulette (H). Vous pouvez maintenant tirer la poignée (B) vers l'arrière ou la pousser vers l'avant. Il est également possible d'ajuster l'angle de la poignée. Après avoir ajusté la poignée à la position souhaitée, serrez à nouveau la roulette (H). Soyez prudent lorsque vous dévissez / serrez la roulette pour éviter de vous blesser les doigts.

Fonction mémoire : Décidez de la hauteur du tube de support d'avant-bras. Comptez les trous visibles à l'arrière du tube (G). Dévissez la molette de verrouillage (A). Retirez le tube (G) du cadre. La pièce de fixation (D) suivra le tube de support d'avant-bras. Déplacez la pièce de fixation (D) de sorte que le nombre

de trous au-dessus d'elle soit égal aux trous précédemment comptés. Placez le memory clip rouge (E) sur le tube de support d'avant-bras dans le premier trou disponible sous la pièce de fixation (D). Poussez le tube (G) et la pièce de fixation (D) vers le bas dans le cadre latéral (F). Vissez la molette de verrouillage (A) à mi-chemin. Tirez le tube (G) vers le haut jusqu'à ce qu'il s'arrête, puis serrez correctement la molette de verrouillage (A). Désormais, lorsque le support d'avant-bras est dans la position la plus basse, il s'arrête dans la position prédéfinie lorsqu'il sera tiré vers le haut.

5 Freins

Assurez-vous que les freins fonctionnent avant chaque utilisation. Chaque levier de frein (A) actionne la roue arrière du même côté. *Ne conduisez pas et ne poussez pas le déambulateur pendant que les freins de stationnement sont en service !*

Freins de stationnement : Poussez les leviers de frein vers l'avant (A) pour activer les freins de stationnement. Sachez que le levier a une certaine résistance avant de s'arrêter et de verrouiller la roue arrière. Tirez les leviers de frein vers l'arrière pour desserrer les freins de stationnement.

Freins de marche : Tirez les leviers de frein vers vous (B) pour réduire la vitesse. *Ne pas utiliser en continu pendant que le déambulateur est en mouvement.*

Réglage / vérification : Desserrez l'écrou (C). Serrez le câble de frein (D) avec la vis de réglage (E). Ajustez les deux blocs de frein (F) de sorte que la distance à la surface de la roue soit d'environ 1 mm, puis serrez l'écrou (C). Assurez-vous que les freins ne sont pas trop serrés et qu'ils n'appuient pas trop fort sur le caoutchouc des roues lorsque le frein de stationnement est verrouillé.

Entretien : Nettoyez fréquemment le bloc de frein (F) et le ressort de frein (G). Les roues et les freins peuvent être remplacés s'ils sont usés ou endommagés.

6 Siège

Le déambulateur dispose d'un siège en filet sûr et pratique, à travers lequel vous avez une vue sur le sol tout en marchant. Il peut facilement être essuyé avec un chiffon si nécessaire. Les freins de stationnement doivent être activés avant d'utiliser le siège. Poussez les deux leviers de frein vers l'avant jusqu'à ce qu'ils se verrouillent (A). Les deux roues arrière sont maintenant bloquées. Asseyez-vous le dos vers le filet à provision (B).

7 Protecteur de bord / Aide au basculement

Protecteur de bord : Les protecteurs de bord (A), qui se trouvent devant les roues arrière, empêchent les roues arrière de s'accrocher dans les coins, les cadres de porte, etc.

Aide au basculement : Pour utiliser la fonction d'aide au basculement, utilisez l'avant du pied et appuyez sur la pédale (B), qui se trouve à côté de la roue arrière. Cela aide à incliner le déambulateur sur les seuils, les bords, etc. Remarque : Soyez prudent lorsque vous passez un seuil, etc.

Filet à provisions

Le filet peut contenir jusqu'à 5 kilos. Il peut être retiré et lavé délicatement à 60 °C.

Transport

Le déambulateur doit être transporté en position pliée et verrouillée (voir paragraphe *Dépliage / Pliage*). Assurez-vous que la bride de sécurité est fermée afin que le déambulateur ne puisse pas se déplier involontairement. Soyez prudent lorsque vous chargez le déambulateur dans un véhicule, en faisant attention à le fixer.

Stockage

Le déambulateur doit être rangé en position verticale. S'il est stocké à l'extérieur, il doit être mis sous une protection. Ne laissez pas votre déambulateur sans surveillance. Ne mettez pas d'objets lourds sur le déambulateur pendant le stockage.

Nettoyage

Le déambulateur peut être nettoyé à l'aide d'un chiffon humide. En cas d'accumulation de boue et de crasse, un chiffon avec un détergent de lavage doux peut être utilisé suivi d'un rinçage à l'eau tiède. N'utilisez pas de nettoyeurs haute pression et évitez de rincer directement contre les roulements à billes (dans les roues et les fourches avant). N'utilisez pas d'abrasifs ou de lavage à la vapeur. Séchez le déambulateur à l'aide d'un chiffon doux.

Désinfection

La désinfection ne doit être effectuée que par du personnel autorisé. Veuillez communiquer avec votre magasin de mobilité ou votre revendeur. Pendant la désinfection, un équipement de protection suffisant doit être porté et les instructions du fabricant du désinfectant doivent être suivies. La surface du déambulateur doit être nettoyée à l'aide d'un chiffon doux ou d'une éponge et

d'un désinfectant chimique approuvé contenant de l'éthanol à 70 à 80 %. Nous déconseillons les désinfectants contenant du chlore ou du phénol. N'utilisez pas de désinfection thermique. *Le fabricant ne peut être tenu responsable des dommages ou blessures survenus à l'aide d'un désinfectant nocif ou d'une désinfection effectuée par du personnel non autorisé.*

Inspection / Entretien / Réutilisation

Il est recommandé d'effectuer régulièrement l'inspection et l'entretien (la fréquence est déterminée par la façon dont le déambulateur est utilisé et à quelle fréquence). Vérifiez les éléments suivants : cadre, vis, tubes, poignées, supports d'avant-bras, freins, pièces de frein, roues, siège et accessoires. Cela s'applique également lorsque le déambulateur doit être préparé pour la réutilisation. Veuillez consulter les instructions détaillées dans ce manuel d'utilisation sur l'entretien des freins et le nettoyage / désinfection. L'entretien recommandé n'est pas une exigence, et aucun entretien préventif n'est requis à condition que le déambulateur soit utilisé comme prévu conformément à ce manuel d'utilisation.

Matériaux / Recyclage

Le déambulateur est composé de tubes en aluminium revêtus de plastique, de raccords en plastique et de matériaux en plastique et en polyester. Des roulements à billes sont présents dans toutes les roues et fourches. La plupart des pièces de déambulateur peuvent être recyclées. Jetez le déambulateur et son emballage conformément à la réglementation applicable dans votre pays. Pour plus d'informations, veuillez contacter vos autorités publiques.

Garantie

TOPRO Troja Walker² est garanti sans défauts et défauts pendant 7 ans. Les dommages causés par une mauvaise utilisation ou des pièces exposées à l'usure naturelle (par exemple, bloc de frein, câble de frein, roue, filet, siège et poignée) sont exemptés de la garantie de 7 ans. Pour les réparations pendant la période de garantie, veuillez contacter votre magasin de mobilité local ou votre revendeur. La garantie est nulle si des pièces de rechange et des accessoires non autorisés ont été ou sont utilisés sur le produit. La durée de vie prévue du produit est estimée à 10 ans, à condition qu'il soit utilisé correctement conformément au présent manuel d'utilisation et à ses instructions de sécurité et d'entretien.

8 Étiquette du produit

- 1 - Fabricant
- 2 - Consultez le manuel d'utilisation (symbole bleu sur la nouvelle étiquette)
- 3 - Nom du modèle
- 4 - Numéro de modèle
- 5 - Date de fabrication
- 6 - Numéro de série
- 7 - Numéro d'article du commerce mondial
- 8 - Code GS1
- 9 - Poids maximal de l'utilisateur
- 10 - Longueur maximale du déambulateur
- 11 - Largeur maximale / hauteur du déambulateur
- 12 - Destiné à un usage intérieur
- 13 - Dispositif médical
- 14 - Marquage CE (Ce produit est conforme au règlement (UE) 2017/745 sur les dispositifs médicaux)

Accessoires

	TOPRO Art. No.
Ceinture dorsale	814765
Tablette (non disponible pour la taille X)	814728
Tapis antidérapant pour tablette (non disponible pour la taille X)	814059
Porte-canne	815358
Porte-boisson	814043
Barre stabilisatrice (taille M / S)	814729
Barre stabilisatrice (taille X)	814730
Frein simultané à une main	814026
Poignée pour accompagnateur	814014
Sacoche supplémentaire (non disponible pour la taille X)	814046
Plaque d'identification	814024
Système de résistance au roulement, paire	814032
Panier pour bouteille d'oxygène (uniquement comprimé, pas liquide)	814009

Les accessoires montés sur le déambulateur peuvent influencer la stabilité, nous vous conseillons donc de les utiliser avec précaution. Les accessoires peuvent être commandés séparément pour permettre de personnaliser un TOPRO Troja Walker² en fonction des besoins individuels. Contactez votre boutique de mobilité, votre revendeur ou TOPRO pour un aperçu actualisé des accessoires ou visitez notre page d'accueil topromobility.com.

Congratulazioni per avere acquistato un nuovo deambulatore TOPRO

Ogni deambulatore TOPRO è sviluppato, progettato e realizzato in Norvegia. Il prodotto è conforme al Regolamento sui Dispositivi Medici (UE) 2017/745. È testato e approvato secondo EN ISO 11199-3:2005. Al ricevimento della merce, si prega di controllare il prodotto. In caso di domande, contattare immediatamente il negozio o il rivenditore specializzato autorizzato. In caso di problemi con la lettura di questo manuale utente, è disponibile una versione elettronica su topromobility.com.

Destinazione d'uso

Il TOPRO Troja Walker² deve dare supporto agli utenti con equilibrio ridotto e / o ridotta capacità di camminata. È progettato per essere spinto, non tirato. Il sedile integrato offre all'utente l'opportunità di riposare, se necessario. L'utente previsto è un adulto. Si applicano restrizioni di altezza e peso. *Controindicazioni: il prodotto non è adatto a persone con scarsa forza nelle braccia, con un equilibrio carente o con notevoli disabilità cognitive. Il deambulatore è progettato e approvato per uso interno su pavimentazioni semplici.*

Per conoscere meglio le caratteristiche del deambulatore ed imparare ad usarlo correttamente, si consiglia la formazione da parte di un professionista.

0 I cerchi numerati grigi in questo manuale utente si riferiscono alla grafica informativa numerata e alle illustrazioni all'interno della copertina

1 Conosci il tuo prodotto TOPRO

- | | |
|---|--|
| A Supporto antibrachiale | H Ruota di bloccaggio per la maniglia |
| B Leva freno | I Borsa portaoggetti |
| C Tubo manopole | J Telaio laterale |
| D Cavo freno | K Blocco freno / Protezione dei bordi |
| E Barre del sedile / maniglia di trasporto | L Funzione di inclinazione |
| F Sedile con cinturino per meccanismo pieghevole | M Cavo di supporto |
| G Morsetto di bloccaggio | N Etichetta del prodotto |

2 Sicurezza

Ripiegare e aprire il deambulatore facendo attenzione a non farsi male alle dita.

Non posizionare le dita in fori aperti o tra le parti fisse.

Assicurarsi che la ruota di bloccaggio per la regolazione dell'altezza per le maniglie sia bloccata saldamente.

Quando il deambulatore è fermo o parcheggiato, assicurarsi che i freni di stazionamento su entrambi i lati siano in posizione bloccata (A).

Non usare il deambulatore sulle scale. Fare attenzione quando si superano le soglie, ecc.

Controllare i freni prima dell'uso ogni volta e che il deambulatore si blocchi in posizione aperta.

Non utilizzare il dispositivo per trasportare carichi pesanti o persone.

Tenere presente che alcune parti del deambulatore potrebbero risultare calde o fredde se esposte a temperature estreme.

Non modificare il prodotto in quanto ciò potrebbe costituire un rischio per la sicurezza e la garanzia diventerà nulla.

Prima di sedersi sul sedile (C), assicurarsi che i freni di stazionamento su entrambi i lati siano attivati (A).

Per evitare il rischio di caduta, non sporgersi o piegarsi lateralmente o sopra la parte posteriore del deambulatore mentre si è seduti (D). Non inclinare troppo il deambulatore lateralmente, per evitare il rischio di caduta. Per lo stesso motivo, borse ecc. non devono mai essere appese alle manopole.

Per dare il giusto supporto e sicurezza, camminare dritto e assicurarsi che il deambulatore, sia tenuto il più vicino possibile al corpo (E). Camminare tra le ruote posteriori (F), non dietro di esse (G).

Tenere presente che il deambulatore potrebbe avanzare più velocemente dell'utente quando in tratti in discesa, il che potrebbe generare un rischio di caduta. Attivare i freni di guida per regolare la velocità (B).

Prestare attenzione quando si indossano gonne o pantaloni larghi in quanto potrebbero rimanere impigliati nelle ruote, causando una caduta. Indossare calzature robuste per evitare lesioni.

Non utilizzare il deambulatore su superfici scivolose.

Tenere il deambulatore lontano dal fuoco e dagli oggetti caldi.

Non usare il deambulatore, come supporto per raggiungere oggetti in alto.

3 Apertura / Chiusura

Apertura: allentare la cinghia tra i supporti antibrachiali (A) (non applicabile per il deambulatore in taglia X). Rilasciare il morsetto di bloccaggio posizionato in corrispondenza delle barre del sedile (B). Premere le barre del sedile verso il basso e verso l'esterno (C). I telai laterali scorrono verso l'esterno. Premere verso il basso le barre del sedile. Si sentirà un "clic". Il deambulatore è ora bloccato nella sua posizione aperta. Allacciare la cinghia (A).

Chiusura: allentare la cinghia tra i supporti antibrachiali (A). Tirare la cinghia sul sedile (D) e premere insieme i telai laterali. Bloccare il morsetto (E) sopra le barre del sedile.

Trasporto del deambulatore: il deambulatore non deve essere trasportato dalla cinghia del sedile o dai fili dei freni. Piegare il deambulatore insieme come mostrato nell'illustrazione (F). Afferrare il deambulatore dalle barre del sedile quando il deambulatore è piegato (G).

4 Supporti antibrachiali / Maniglie / Funzione memoria

Regolazione dell'altezza: svitare il pomello di bloccaggio (A) (circa 2 giri). Regolare i tubi del supporto antibrachiale ad un'altezza adeguata, quindi tirarli leggermente su e giù (C) fino a quando non si sente un "clic". Stringere nuovamente il pomello di bloccaggio (A). Regolare entrambi i tubi alla stessa altezza.

Altezza consigliata: posizionarsi tra le ruote posteriori. Rilassare le spalle e tenere i gomiti a un angolo di 90 gradi. Il livello dei supporti antibrachiali deve essere fissato al livello dei gomiti. Rivolgersi a un professionista per la regolazione dei supporti antibrachiali e delle maniglie per una postura corretta.

Regolazione delle maniglie: svitare il pomello di bloccaggio (H). Ora si può tirare la maniglia (B) all'indietro o spingerla in avanti. È anche possibile regolare l'angolo della maniglia. Dopo aver regolato la maniglia nella posizione desiderata, stringere nuovamente il pomello di bloccaggio (H). Fare attenzione a non farsi male alle dita quando si svita / si stringe la ruota di bloccaggio.

Memoria funzione: decidere l'altezza del tubo di supporto antibrachiale. Contare i fori visibili sul retro dei tubi della maniglia (G). Svitare il pomello di bloccaggio (A). Estrarre il tubo (G) dal telaio. La clip di fissaggio (D) seguirà ora il tubo della maniglia. Spostare la clip di fissaggio (D) in modo che il numero di fori sopra di essa sia uguale ai fori contati in precedenza.

Montare il chip di memoria rosso (E) sul tubo nel primo foro disponibile sotto la clip di fissaggio (D). Spingere il tubo (G) e il pezzo di fissaggio (D) verso il basso e nel telaio laterale (F). Avvitare il pomello di bloccaggio (A) a metà via. Tirare il tubo (G) verso l'alto fino a quando non si ferma, quindi stringere correttamente il pomello di bloccaggio (A). D'ora in poi, quando i tubi della maniglia sono nella posizione più bassa, si fermeranno nella posizione preimpostata quando vengono sollevati.

5 Freni

Assicurarsi che i freni funzionino prima di ogni viaggio. Ogni leva del freno (A) agisce su ciascuna delle ruote posteriori. *Non guidare o spingere il deambulatore mentre i freni di stazionamento sono in uso!*

Freni di stazionamento: spingere le leve del freno in avanti (A) per attivare i freni di stazionamento. Tenere presente che la leva ha una certa resistenza prima che si fermi e blocchi la ruota posteriore. Tirare le leve del freno all'indietro per rilasciare i freni di stazionamento.

Freni di guida: tirare le leve del freno verso di te (B) per ridurre la velocità. *Non utilizzare continuamente mentre il deambulatore è in movimento.*

Regolazione / controllo: allentare il dado (C). Stringere il cavo del freno (D) con la vite di regolazione (E). Regolare entrambi i ceppi dei freni (F) in modo che la distanza dalla superficie della ruota sia di circa 1 mm e quindi stringere il dado (C). Assicurarsi che i freni non siano regolati troppo stretti e premere forte nella gomma delle ruote quando il freno di stazionamento è attivato.

Manutenzione: pulire frequentemente il blocco freno (F) e la molla del freno (G). Le ruote e i freni possono essere sostituiti se sono usurati o danneggiati.

6 Sedile

Il deambulatore ha un sedile a rete sicuro e conveniente, attraverso il quale si ha una vista a terra mentre si cammina. Può essere facilmente pulito con un panno, se necessario. I freni di stazionamento devono essere attivati prima di utilizzare il sedile. Spingere entrambe le leve dei freni in avanti fino a quando non si bloccano (A). Entrambe le ruote posteriori sono ora bloccate. Sedersi con la schiena verso il cestello (B).

7 Protezione dei bordi / Funzione di inclinazione

Protezione dei bordi: i ceppi dei freni (A), che si trovano davanti alle ruote posteriori, impediscono alle ruote posteriori di sbattere in curva, contro i telai delle porte, ecc. **Funzione di inclinazione:** per utilizzare la funzione di inclinazione utilizzare la parte anteriore del piede e premere verso il basso sul pedale di inclinazione (B), che si trova accanto alla ruota posteriore. Questo aiuta a inclinare il deambulatore oltre soglie, bordi ecc. Nota: fare attenzione quando si cammina lungo i cordoli ecc.

Cestello

Il cestello può contenere fino a 5 chili. Può essere rimosso e lavato delicatamente a 60 °C.

Trasporto

Il deambulatore deve essere trasportato nella posizione piegata e bloccata (*vedi paragrafo Apertura / chiusura*). Assicurarsi che il morsetto di blocco sia attivato, in modo che il deambulatore non possa aprirsi involontariamente. Prestare attenzione quando si carica il deambulatore in un veicolo e fissarlo correttamente.

Conservazione quando non in uso

Il deambulatore deve essere riposto in posizione verticale. Se conservato all'aperto, quindi sotto copertura per proteggerlo. Non lasciare il tuo deambulatore incustodito. Non mettere oggetti pesanti sopra il deambulatore durante lo stoccaggio.

Pulizia

Il deambulatore può essere pulito con un panno umido. In caso di accumulo di fango e sporcizia, è possibile utilizzare un panno con un detergente per lavaggio delicato seguito da risciacquo con acqua tiepida. Non utilizzare idropulitrici ed evitare il lavaggio diretto contro i cuscinetti a sfera (nelle ruote e nelle forcelle anteriori). Non utilizzare abrasivi o lavare a vapore. Asciugare il deambulatore usando un panno morbido.

Disinfezione

La disinfezione deve essere effettuata solo da personale autorizzato. Si prega di contattare il rivenditore locale o il centro di assistenza alla mobilità. Durante la disinfezione devono essere indossati dispositivi di protezione sufficienti e devono essere seguite le istruzioni del produttore del disinfettante. Le superficie del deambulatore devono essere pulite con un panno morbido o una spugna e un disinfettante chimico approvato contenente il 70–80 % di etanolo. Sconsigliamo disinfettanti contenenti cloro o fenolo. Non utilizzare la disinfezione termica. *Il produttore non può essere ritenuto responsabile per eventuali danni o lesioni verificatisi utilizzando disinfettanti dannosi o per la disinfezione effettuata da personale non autorizzato.*

Ispezione / Manutenzione / Riutilizzo

Si raccomanda di eseguire regolarmente l'ispezione e la manutenzione (la frequenza è determinata da come e quanto spesso viene utilizzato il deambulatore). Controllare i seguenti elementi: telaio, viti, tubi, maniglie, supporti per avambracci, freni, parti dei freni, ruote, sedile e accessori. Questo vale anche quando il deambulatore deve essere preparato per il riutilizzo. Si prega di consultare le istruzioni dettagliate in questo manuale utente sulla manutenzione dei freni e la pulizia / disinfezione. La manutenzione raccomandata non è un requisito e non è richiesta alcuna manutenzione preventiva a condizione che il deambulatore sia utilizzato come previsto secondo questo manuale utente.

Materiale / Riciclaggio

Il deambulatore è realizzato con tubi in alluminio plastificato, giunti in plastica e materiale in plastica e poliestere. Ci sono cuscinetti a sfere in tutte le ruote e forcelle. La maggior parte delle parti può essere riciclata. Smaltire il deambulatore e il suo imballaggio secondo le normative applicabili nel proprio paese. Per informazioni, si prega di contattare le autorità pubbliche.

Garanzia

TOPRO Troja Walker² è garantito gratuito per difetti per 7 anni. I danni causati da un uso scorretto o parti esposte all'usura naturale (ad es. blocco freno, cavo del freno, ruota, cestello, sedile e impugnatura) sono esenti dalla garanzia di 7 anni. Per le riparazioni durante il periodo di garanzia, contattare il negozio o il rivenditore di mobilità locale. La garanzia è nulla se pezzi di ricambio e accessori non autorizzati sono stati o vengono utilizzati sul prodotto. La durata prevista del prodotto è stimata in 10 anni, a condizione che venga utilizzato nel modo corretto secondo questo manuale d'uso e le sue istruzioni di sicurezza e manutenzione.

8 Etichetta del prodotto

- 1 - Fabbricante
- 2 - Consultare le istruzioni per l'uso (icona blu sulla nuova etichetta)
- 3 - Nome del modello
- 4 - Numero di modello
- 5 - Data di fabbricazione
- 6 - Numero di serie
- 7 - Numero dell'articolo del commercio globale
- 8 - GS1 DataMatrix
- 9 - Peso massimo dell'utente
- 10 - Lunghezza massima del deambulatore
- 11 - Larghezza massima / altezza del deambulatore
- 12 - Destinato all'uso interno
- 13 - Dispositivo Medico
- 14 - Marcatura CE (Questo prodotto è conforme al Regolamento sui Dispositivi Medici (UE) 2017/745)

Accessori

	Numero articolo TOPRO
Supporto per la schiena	814765
Vassoio (NB: non per la taglia X)	814728
Tappetino antiscivolo per vassoio (NB: non per taglia X)	814059
Porta stampelle	815358
Portabottiglia	814043
Barra stabilizzatrice (taglia M/S)	814729
Barra stabilizzatrice (taglia X)	814730
Freno con una sola mano	814026
Maniglia di guida per ipovedenti	814014
Borsa posteriore con cerniera (NB: non per la taglia X)	814046
Cartellino del nome	814024
Sistema di resistenza al rotolamento, coppia	814032
Cestello per bombola di ossigeno (solo compresso, non liquido)	814009

Gli accessori montati sul deambulatore possono influire sulla stabilità, ti consigliamo quindi di utilizzarli con cura. Gli accessori possono essere ordinati separatamente per consentire la personalizzazione di un TOPRO Troja Walker² in base alle esigenze individuali. Contatta il tuo negozio di mobilità, rivenditore o TOPRO per una panoramica aggiornata degli accessori o visita la nostra homepage topromobility.com.

Felicitaciones con su elección de un nuevo andador TOPRO

Todos los andadores de antebrazo TOPRO se desarrollan, diseñan y fabrican en Noruega. El producto cumple con el Reglamento de Dispositivos Médicos (UE) 2017/745. Está probado y aprobado según en la norma EN ISO 11199-3:2005. Al recibir los productos, verifique su producto. Si tiene alguna pregunta, póngase en contacto con su tienda de movilidad o distribuidor de inmediato. Si tiene problemas para leer este manual de usuario, hay una versión electrónica disponible en topromobility.com.

Uso previsto

El TOPRO Troja Walker² dará soporte a usuarios con equilibrio reducido y/o capacidad de caminar reducida. Está diseñado para ser empujado, no tirado. El asiento integrado ofrece una oportunidad para que el usuario descanse si es necesario. El usuario previsto es un adulto. Se aplican restricciones de altura y peso. *Contraindicaciones: El producto no es adecuado para personas con baja fuerza en brazos, con muy mal equilibrio o con discapacidades cognitivas considerables. El andador está diseñado y aprobado para uso en interiores sobre cimientos lisos.*

Para conocer el andador y aprender a usarlo correctamente, se aconseja la capacitación de una persona capacitada.

0 Los círculos numerados grises en este manual de usuario se refieren al gráfico de información numerada y las ilustraciones dentro de la cubierta

1 Conozca su producto TOPRO

- | | |
|---|---|
| A Soporte para el antebrazo | H Rueda de bloqueo para el mango |
| B Palanca de freno | I Canasta |
| C Tubo de mango | J Marco lateral |
| D Cable de freno | K Bloque de freno / Protector de borde |
| E Barras de asiento / asa de transporte | L Función de inclinación |
| F Asiento con correa para mecanismo plegable | M Cable de apoyo |
| G Abrazadera de bloqueo | N Etiqueta del producto |

2 Seguridad

Al doblar y desplegar, tenga en cuenta para no lastimarse los dedos.

Tenga en cuenta no poner los dedos en agujeros abiertos o entre partes estacionarias.

Asegúrese de que la rueda de bloqueo para el ajuste de altura de las manijas esté bien cerrada.

Cuando esté parado o estacionado, asegúrese de que los frenos de estacionamiento en ambos lados estén activados (A).

No use el andador en las escaleras. Tenga cuidado al pasar los umbrales, etc.

Revise los frenos antes de usarlos cada vez, y que el andador se bloquee en posición desplegada.

No utilice el dispositivo para transportar cargas pesadas o personas.

Tenga en cuenta que algunas partes del andador pueden sentir calor o frío cuando se exponen a temperaturas extremas.

No modifique el producto, ya que esto podría poner en riesgo su seguridad y la garantía se anulará.

Antes de sentarse en el asiento (C), asegúrese de que los frenos de estacionamiento en ambos lados estén activados (A).

Para evitar el riesgo de caídas, no se incline ni se doble hacia los lados o sobre la parte posterior del andador mientras está sentado (D). No incline demasiado el andador hacia los lados, para evitar el riesgo de caídas. Por la misma razón, las bolsas, etc., nunca deben colgarse en el manillar.

Para dar el apoyo y la seguridad adecuados, camine recto y asegúrese de que el andador se mantenga lo más cerca posible de su cuerpo (E). Camina entre las ruedas traseras (F), no detrás de ellas (G).

Tenga en cuenta que el caminante puede rodar más rápido que usted al caminar cuesta abajo, lo que puede ponerlo en riesgo de caerse. Active los frenos de conducción para ajustar la velocidad (B).

Tenga cuidado al usar faldas y pantalones revoloteantes, ya que podrían quedar atrapados en las ruedas, lo que podría provocar caídas. Use calzado resistente para evitar lesiones.

No utilice el andador en superficies resbaladizas.

Mantenga el andador alejado del fuego y de los artículos calientes.

No se suba al andador.

3 Despliegue / Plegado

Despliegue: Afloje la correa entre los soportes del antebrazo (A) (no aplicable para el andador en talla X). Suelte la abrazadera de bloqueo colocada en las barras del asiento (B). Presione las barras del asiento hacia abajo y hacia afuera (C). Los marcos laterales se deslizarán por separado. Presione hacia abajo las barras del asiento. Escuchará un sonido de clic. El andador ahora está encerrado en su posición abierta. Abróchese la correa (A).

Plegado: Afloje la correa entre los soportes del antebrazo (A). Tire de la correa del asiento (D) y presione los marcos laterales juntos. Bloquee la abrazadera (E) sobre las barras del asiento.

Llevar el andador: El andador no debe ser transportado por la correa del asiento o los cables del freno. Doble el andador como se muestra en la ilustración (F). Lleve el andador por las barras del asiento cuando el andador esté plegado (G).

4 Soportes para el antebrazo / Manijas / Función de memoria

Ajuste de altura: Desenrosque la rueda de bloqueo (A) (aprox. 2 vueltas). Ajuste los tubos de soporte del antebrazo a una altura adecuada y luego tire de ellos ligeramente hacia arriba y hacia abajo (C) hasta que escuche un sonido de clic. Apriete la rueda de bloqueo (A) de nuevo. Ajuste ambos tubos a la misma altura.

Altura recomendada: Párese entre las ruedas traseras. Relaja los hombros y mantén los codos en un ángulo de 90 grados. El nivel de los soportes del antebrazo debe fijarse al nivel de los codos. Un profesional debe ayudarte con el ajuste de los soportes del antebrazo y las asas, para ayudar a garantizar una postura correcta.

Ajuste de las asas: Desenrosque la rueda de bloqueo (H). Ahora puede tirar del mango (B) hacia atrás o empujarlo hacia adelante. También es posible ajustar el ángulo del mango. Después de ajustar el mango a la posición deseada, apriete la rueda de bloqueo (H) nuevamente. Tenga cuidado al desenroscar / apretar la rueda de bloqueo para evitar lastimarse los dedos.

Memoria función: Decidir la altura del tubo de soporte del antebrazo. Cuente los orificios visibles en la parte posterior de los tubos del mango (G). Desenrosque la rueda de bloqueo (A). Tire del tubo (G) fuera del marco. La pieza de sujeción (D) ahora seguirá el tubo del mango. Mueva la pieza de sujeción (D) para que el número de orificios por encima de ella sea igual a los orificios contados anteriormente.

Coloque el chip de memoria rojo (E) en el tubo en el primer orificio disponible debajo de la pieza de sujeción (D). Empuje el tubo (G) y la pieza de sujeción (D) hacia abajo y hacia el marco lateral (F). Atornille la rueda de bloqueo (A) hasta la mitad. Tire del tubo (G) hacia arriba hasta que se detenga y, a continuación, apriete la rueda de bloqueo (A) correctamente. A partir de ahora, cuando los tubos del mango estén en la posición más baja, se detendrán en la posición preestablecida cuando se levanten.

5 Frenos

Asegúrese de que los frenos estén funcionando antes de cada viaje. Cada palanca de freno (A) funciona en cada una de las ruedas traseras. *¡No conduzca ni empuje el andador mientras los frenos de estacionamiento estén en uso!*

Frenos de estacionamiento: Empuje las palancas de freno hacia adelante (A) para activar los frenos de estacionamiento. Tenga en cuenta que la palanca tiene cierta resistencia antes de que se detenga y bloquee la rueda trasera. Tire de las palancas de freno hacia atrás para soltar los frenos de estacionamiento.

Frenos de conducción: Tire de las palancas de freno hacia usted (B) para reducir la velocidad. *No lo use continuamente mientras el andador esté en movimiento.*

Ajuste / comprobación: Afloje la tuerca (C). Apriete el cable del freno (D) con el tornillo de ajuste (E). Ajuste ambos bloques de freno (F) para que la distancia a la superficie de la rueda sea de aproximadamente 1 mm y luego apriete la tuerca (C). Asegúrese de que los frenos no estén demasiado ajustados y presione con fuerza la goma de las ruedas cuando se active el freno de estacionamiento.

Mantenimiento: Limpie el bloque de freno (F) y el muelle de freno (G) con frecuencia. Las ruedas y los frenos se pueden reemplazar si están desgastados o dañados.

6 Asiento

El andador tiene un asiento de red seguro y conveniente, a través del cual tiene una vista al suelo mientras camina. Se puede limpiar fácilmente con un paño si es necesario. Los frenos de estacionamiento deben activarse antes de usar el asiento. Empuje ambas palancas de freno hacia adelante hasta que se bloqueen (A). Ambas ruedas traseras ahora están bloqueadas. Siéntate de espaldas hacia la canasta (B).

7 Protector de borde / Función de inclinación

Protector de borde: Los bloques de freno (A), que están delante de las ruedas traseras, evitan que las ruedas traseras se enganchen en las esquinas, marcos de las puertas, etc.

Función de inclinación: Para usar la función de inclinación, use la parte delantera del pie y presione hacia abajo el pedal de inclinación (B), que está al lado de la rueda trasera. Esto ayuda a inclinar el andador sobre umbrales, bordes, etc. Tenga en cuenta: Tenga cuidado al pasar los umbrales, etc.

Canasta

La cesta tiene capacidad para 5 kilos. Se puede retirar y lavar suavemente a 60 °C.

Transporte

El andador debe transportarse en la posición plegada y bloqueada (*consulte el párrafo Despliegue / Plegado*). Asegúrese de que la abrazadera de bloqueo esté encendida, de modo que el andador no pueda desplegarse involuntariamente. Tenga cuidado al cargar el andador en un vehículo, prestando atención a asegurarlo.

Almacenamiento

El andador debe almacenarse en posición vertical. Si se almacena al aire libre, entonces bajo cubierta para protegerlo. No deje su andador desatendido. No coloque artículos pesados encima del andador durante el almacenamiento.

Limpieza

El andador se puede limpiar con un paño húmedo. En caso de acumulación de barro y suciedad, se puede usar un paño con un detergente de lavado suave seguido de un enjuague con agua tibia. No utilice limpiadores de alta presión y evite enjuagar directamente contra los rodamientos de bolas (en ruedas y horquillas delanteras). No use abrasivos ni lavados a vapor. Seque el andador con un paño suave.

Desinfección

La desinfección solo debe ser realizada por personal autorizado. Póngase en contacto con su concesionario local o centro de ayuda a la movilidad. Durante la desinfección se debe usar suficiente equipo de protección y se deben seguir las instrucciones del fabricante del desinfectante. La superficie del andador debe limpiarse con un paño o esponja suave y un desinfectante químico aprobado que contenga etanol al 70–80 %. Aconsejamos no desinfectar que contenga cloro o fenol. No use desinfección por calor. *El fabricante no se hace responsable de ningún daño o lesión ocurrida con desinfectante o desinfección dañina llevado a cabo por personal no autorizado.*

Inspección / Mantenimiento / Reutilización

Se recomienda que la inspección y el mantenimiento se lleven a cabo regularmente (la frecuencia está determinada por cómo y con qué frecuencia se usa el andador). Compruebe los siguientes elementos: Marco, tornillos, tubos, asas, soportes del antebrazo, frenos, piezas de freno, ruedas, asiento y accesorios. Esto también se aplica cuando el andador debe estar preparado para la reutilización. Consulte las instrucciones detalladas en este manual de usuario sobre el mantenimiento de los frenos y la limpieza / desinfección. El mantenimiento recomendado no es un requisito, y no se requiere mantenimiento preventivo siempre que el andador se use según lo previsto de acuerdo con este manual del usuario.

Material / Reciclaje

El andador está hecho de tubos de aluminio recubiertos de plástico, acoplamientos de plástico y material hecho de plástico y poliéster. Hay rodamientos de bolas en todas las ruedas y horquillas. La mayoría de las piezas se pueden reciclar. Deseche el andador y su embalaje de acuerdo con la normativa aplicable en su país. Para obtener información, póngase en contacto con sus autoridades públicas.

Garantía

TOPRO Troja Walker² está garantizado libre de fallos y defectos durante 7 años. Los daños causados por un uso incorrecto o las piezas que están expuestas al desgaste natural (por ejemplo, bloque de freno, cable de freno, rueda, cesta, asiento y agarre) están exentos de la garantía de 7 años. Para reparaciones durante el período de garantía, póngase en contacto con su tienda de movilidad o distribuidor local. La garantía es nula si se han utilizado o se están utilizando piezas de repuesto y accesorios no autorizados en el producto. La vida útil esperada del producto se estima en 10 años, siempre que se utilice de la manera correcta de acuerdo con este manual de usuario y sus instrucciones de seguridad y mantenimiento.

8 Etiqueta del producto

- 1 - Fabricante
- 2 - Consultar instrucciones de uso (icono azul en la nueva etiqueta)
- 3 - Nombre del modelo
- 4 - Número de modelo
- 5 - Fecha de fabricación
- 6 - Número de serie
- 7 - Número de artículo comercial global
- 8 - GS1 DataMatrix
- 9 - Peso máximo del usuario
- 10 - Longitud máxima del andador
- 11 - Anchura / altura máxima del andador
- 12 - Destinado a uso en interiores
- 13 - Dispositivo médico
- 14 - Marcado CE (Este producto cumple con el Reglamento de Dispositivos Médicos (UE) 2017/745)

Accesorios

	Artículo TOPRO No.
Soporte posterior	814765
Bandeja (NB: no para la talla X)	814728
Alfombra antideslizante para bandeja (NB: no para la talla X)	814059
Soporte de muleta	815358
Portabotellas	814043
Barra estabilizadora (tamaño M/ S)	814729
Barra estabilizadora (tamaño X)	814730
Freno con una sola mano	814026
Mango guía para personas con discapacidad visual	814014
Bolsa trasera con cremallera (NB: no para la talla X)	814046
Etiqueta de nombre	814024
Sistema de resistencia al balanceo, par	814032
Cesta para botella de oxígeno (solo comprimida, no líquida)	814009

Los accesorios montados en el andador pueden influir en la estabilidad, por lo tanto, le recomendamos que los use con cuidado. Los accesorios se pueden pedir por separado para permitir que un TOPRO Troja Walker² se personalice según las necesidades individuales. Póngase en contacto con su tienda de movilidad, distribuidor o TOPRO para obtener una visión general actualizada de los accesorios o visite nuestra página de inicio topromobility.com.

Gratulujeme k Vašemu novému chodítku TOPRO

Každý chodítku TOPRO je vyvinut, navržen a vyroben v Norsku. Produkt splňuje požadavky nařízení o zdravotnických prostředcích (EU) 2017/745. Je testován a schválen dle normy EN ISO 11199-3:2005. Při příjmu zboží si svůj produkt zkontrolujte. Pokud máte jakékoli dotazy, ihned kontaktujte Váš obchod nebo dodavatele kompenzačních pomůcek pro mobilitu. Pokud máte problémy se čtením této uživatelské příručky, je k dispozici elektronická verze na stránkách topromobility.com.

Zamýšlené použití

TOPRO Troja Walker² poskytuje podporu uživatelům s poruchou rovnováhy a nebo omezenou schopností chůze. Je navrženo k tlačení, ne tahání. Integrované sedátko umožňuje uživateli, aby si v případě potřeby odpočinul. Zamýšleným uživatelem je dospělý. Platí omezení výšky a hmotnosti. *Kontraindikace: Produkt není vhodný pro osoby s nízkou silou paží, s velmi špatnou rovnováhou nebo významným kognitivním deficitem. Chodítko je navrženo a schváleno k interiérovému použití na rovném povrchu.*

Doporučujeme zaškolení kvalifikovaným pracovníkem, abyste se dobře seznámili s chodítkem a zjistili, jak jej správně používat.

0 Šedé číslované kroužky v této uživatelské příručce označují číslovaný informační grafický prvek a ilustrace v přebalu

1 Seznamte se s produktem TOPRO

A	Předloketní opora	H	Pojistné kolečko pro rukojeť
B	Brzdová páčka	I	Košík
C	Tyč rukojeti	J	Boční rám
D	Kabel brzdy	K	Brzdový blok / rohový chránič
E	Tyče sedadla / nosná rukojeť	L	Funkce náklonu
F	Sedadlo s popruhem pro skládací mechanismus	M	Podpurné lanko
G	Pojistná svorka	N	Štítek produktu

2 Bezpečnost

Při skládání nebo rozkládání dávejte pozor, abyste si neporanili prsty.

Nedávejte prsty do otevřených otvorů ani mezi stacionární díly.

Ujistěte se, že je pojistné kolečko pro nastavení výšky rukojeti pevně zajištěno.

Když je chodítko nehybné nebo zaparkované, zkontrolujte, zda jsou parkovací brzdy na obou stranách aktivované (A).

Nepoužívejte chodítko na schodech. Budte opatrní při překračování prahů atd.

Před každým použitím zkontrolujte brzdy a zajištění chodítka v rozložené pozici.

Nepoužívejte chodítko k přepravě těžkých nákladů ani osob.

Nezapomínejte, že některé díly chodítka mohou být horké nebo studené, když je vystavíte extrémním teplotám.

Neupravujte produkt, jelikož by to mohlo být spojeno s bezpečnostními riziky a záruka tím pozbude platnosti.

Před usednutím na sedátko (C) zkontrolujte, zda jsou parkovací brzdy na obou stranách aktivované (A).

Abyste zamezili nebezpečí pádu, vsedě se nenaklánějte ani neohýbejte do boku či přes zadní část chodítka (D). Abyste předešli riziku pádu, nenaklánějte chodítko příliš do strany. Ze stejného důvodu nikdy nezavěšujte tašky a podobné věci na tyče rukojeti chodítka.

Správné podpory a bezpečnosti dosáhnete přímou chůzí a udržováním chodítka co nejbližší k tělu (E). Jděte mezi zadními kolečky (F), ne za nimi (G).

Nezapomínejte, že z kopce se chodítko může pohybovat rychleji, což zvyšuje riziko pádu. Aktivací brzd upravte rychlost (B).

Když budete mít volnou sukni nebo nohavice, dávejte pozor, protože hrozí jejich zachycení v kolečkách, což by mohlo vést k pádu. Pro prevenci poranění noste pevnou obuv.

Nepoužívejte chodítko na kluzkých površích.

Chraňte chodítko před požárem a horkými předměty.

Nevylézejte na chodítko.

3 Rozkládání / Skládání

Rozkládání: Uvolněte popruh mezi předloketními opěrkami (A) (neplatí pro chodítko velikosti X). Uvolněte pojistnou svorku umístěnou na tyčích sedadla (B). Zatlačte tyče sedadla směrem dolů a ven (C). Boční rámy se posunou od sebe. Zatlačte tyče sedadla dolů. Ozve se cvaknutí. Chodítko je nyní zajištěno v otevřené pozici. Popruh upevněte (A).

Skládání: Uvolněte popruh mezi předloketními opěrkami (A). Potáhněte za popruh na sedadle (D) a přitlačte boční rámy k sobě. Zajistěte svorku (E) přes tyče sedadla.

Přenášení chodítka: Chodítko nenoste za popruh sedadla ani brzdová lanka. Složte chodítko podle ilustrace (F). Chodítko přenášejte za tyče sedadla ve složeném stavu (G).

4 Předloketní opěrky / Rukojeti / Paměťová funkce

Nastavení výšky: Uvolněte pojistné kolečko (A) (přibližně 2 otočky). Nastavte tyče předloketních opěrek do vhodné výšky, poté je potáhněte lehce nahoru a dolů (C) – ozve se cvaknutí. Znovu utáhněte pojistné kolečko (A). Nastavte obě tyče do stejné výšky.

Doporučená výška: Stůjte mezi zadními kolečky. Uvolněte ramena a lokty držte v úhlu 90°. Výška předloketních opěrek by měla být zafixována v úrovni vašich loktů. S nastavením předloketních opěrek a rukojetí by vám měl pomoci odborník, aby byla zajištěno správné držení těla.

Nastavení rukojetí: Odšroubujte pojistné kolečko (H). Nyní můžete rukojeť (B) vytáhnout dozadu, nebo ji zatlačit dopředu. Také je možné nastavit úhel rukojeti. Po nastavení rukojeti do požadované polohy pojistné kolečko (H) opět utáhněte. Při povolování/utahování pojistného kolečka buďte opatrní, abyste si nezranili prsty.

Paměťová funkce: Zvolte si výšku tyče předloketní opěrky. Spočítejte viditelné otvory na zadní straně tyčí rukojetí (G). Odšroubujte pojistné kolečko (A). Vytáhněte tyč (G) z rámu. Upevňovací díl (D) bude sledovat tyč rukojeti. Přesuňte upevňovací díl (D) tak, aby počet otvorů nad ním odpovídal předtím spočítaným otvorům. Vložte červený paměťový kolík (E) na tyč do prvního dostupného otvoru pod upevňovacím dílem (D). Zatlačte tyč (G) a upevňovací díl (D) směrem dolů do bočního rámu (F). Zašroubujte pojistné kolečko (A) do poloviny. Potáhněte tyč (G) nahoru až na doraz a poté adekvátně pojistné kolečko (A) utáhněte. Pokud budou tyče

rukojeti v nejnižší pozici, při vytahování se nyní zastaví v přednastavené poloze.

5 Brzdy

Před každým použitím se ujistěte, že brzdy fungují. Každá brzdová páčka (A) působí na obě zadní kolečka. *Neřídte ani netlačte chodítko s aktivovanými parkovacími brzdami!*

Parkovací brzdy: Zatlačte brzdové páčky vpřed (A) a aktivujte parkovací brzdy. Nezapomínejte, že páčka klade určitý odpor, než se zastaví a zajistí zadní kolečka. Zatáhněte brzdové páčky zpět a uvolněte parkovací brzdy.

Řídicí brzdy: Přitážením brzdových páček směrem k sobě (B) snížíte rychlost. *Při pohybu chodítka nepoužívejte brzdy nepřetržitě.*

Nastavení/kontrola: Uvolněte matici (C). Utáhněte brzdový kabel (D) pomocí nastavovacího šroubu (E). Nastavte oba brzdové bloky (F) tak, aby vzdálenost k povrchu koleček byla přibližně 1 mm. Poté matici (C) utáhněte. Zajistěte, aby nebyly brzdy nastaveny příliš natěsno a při aktivované parkovací brzdě netlačily příliš silně do gumy koleček.

Údržba: Brzdový blok (F) a brzdovou pružinu (G) často čistěte. Kolečka a brzdy lze vyměnit, pokud jsou opotřebované nebo poškozené.

6 Sedadlo

Chodítko má bezpečné a pohodlné síťové sedadlo, přes které je při chůzi vidět na zem. V případě potřeby jej lze jednoduše otřít hadříkem. Před použitím sedadla je nutné aktivovat parkovací brzdy. Zatlačte obě brzdové páčky dopředu do zajištěné polohy (A). Obě zadní kolečka jsou nyní zajištěna. Sedněte si zády ke košíku (B).

7 Rohový chránič / Funkce náklonu

Rohový chránič: Brzdové bloky (A) před zadními kolečky brání zachycení zadních koleček o rohy, rámy dveří atd.

Funkce náklonu: Pokud chcete použít funkci náklonu, přední částí chodidla sešlápněte pedál náklonu (B), který se nachází vedle zadního kolečka. To pomůže chodítku dostat se přes prahy, okraje atd. Nezapomínejte: Buďte opatrní při překračování prahů atd.

Košík

Košík pojme až 5 kilogramů. Lze vyjmout a šetrně vyprat při teplotě 60 °C.

Přeprava

Chodítko přepravujte ve složené a zajištěné pozici (viz *odstavec Rozkládání/skládání*). Ujistěte se, že je sepnutá pojistná svorka, aby se chodítko nemohlo nechtěně rozložit. Při vkládání chodítka do dopravního prostředku buďte opatrní, zajistěte jej.

Uskladnění

Chodítko je nutné uchovávat ve vzpřímené pozici. Při uchování venku musí být kryté, aby bylo chráněno. Nenechávejte chodítko bez dozoru. Neukládejte při úschově na chodítko těžké předměty.

Čištění

Chodítko lze čistit pomocí vlhkého hadříku. V případě nahromadění bahna a špíny lze použít hadřík s jemným čistícím prostředkem a následně jej opláchnout vlažnou vodou. Nepoužívejte vysokotlaké čistící prostředky a vyvarujte se přímého oplachu kuličkových ložisek (v kolečkách a předních vidlicích). Nepoužívejte abrazivní přípravky ani parní čištění. Vysušte chodítko pomocí měkkého hadříku.

Dezinfekce

Dezinfekci musí provádět výhradně autorizovaný personál. Kontaktujte svého místního dodavatele nebo centrum pomůcek pro mobilitu. Během dezinfekce je nutné používat dostatečné ochranné pomůcky a dodržovat pokyny výrobce dezinfekčního přípravku. Povrch chodítka vyčistěte měkkým hadříkem nebo schváleným chemickým dezinfekčním přípravkem obsahujícím 70–80% alkohol. Nedoporučujeme používat dezinfekční přípravky obsahující chlor nebo fenol. Nepoužívejte dezinfekci teplem. *Výrobce nenes zodpovědnost za jakékoli poškození nebo poranění, ke kterému došlo použitím škodlivých dezinfekčních přípravků nebo dezinfekcí provedenou neautorizovaným personálem.*

Kontrola / Údržba / Opětovné použití

Doporučujeme provádět kontrolu a údržbu pravidelně (frekvence je určena způsobem a četností použití chodítka). Zkontrolujte následující položky: rám, šrouby, tyče, rukojeti, předloketní opěrky, brzdy, brzdové díly, kolečka, sedadlo a příslušenství. To platí také pro přípravu chodítka k opětovnému použití. Informace o údržbě brzd a čištění/dezinfekci naleznete v podrobných pokynech v této uživatelské příručce. Doporučená údržba není nutným požadavkem, a pokud je chodítka používáno zamýšleným způsobem dle této uživatelské příručky, není potřebná žádná preventivní údržba.

Materiál / Recyklace

Chodítka je vyrobeno z hliníkových tyčí potažených plastem, plastových spojů a materiálu vyrobeného z plastu a polyesteru. Všechna kolečka a vidlice obsahují kuličková ložiska. Většinu dílů lze recyklovat. Zlikvidujte chodítka a jeho balení dle příslušných předpisů ve vaší zemi. Informace vám poskytnou vaše veřejné úřady.

Záruka

Na TOPRO Troja Walker² poskytujeme záruku na vady a defekty po dobu 7 let. Poškození způsobené nesprávným použitím nebo přirozeným opotřebením dílů (např. brzdového bloku, brzdového kabelu, kolečka, košíku, sedadla a rukojeti) je ze sedmileté záruky vyňato. S dotazy na opravy během záručního období se obraťte na místní obchod nebo dodavatele pomůcek pro mobilitu. Záruka zaniká, pokud byly na produktu použity nebo jsou používány neautorizované náhradní díly a příslušenství. Očekávaná životnost chodítka je odhadována na 10 let při použití správným způsobem dle uživatelské příručky a pokynů pro bezpečnost a údržbu.

8 Štítek produktu

- 1 - Výrobce
- 2 - Prostudujte si návod k použití (modrá ikona na novém štítku)
- 3 - Název modelu
- 4 - Číslo modelu
- 5 - Datum výroby
- 6 - Sériové číslo
- 7 - Globální obchodní číslo položky
- 8 - GS1 DataMatrix
- 9 - Maximální hmotnost uživatele
- 10 - Maximální délka chodítka
- 11 - Maximální šířka/výška chodítka
- 12 - Zamýšleno k interiérovému použití
- 13 - Zdravotnický prostředek
- 14 - Označení CE (tento produkt splňuje požadavky nařízení o zdravotnických prostředcích (EU) 2017/745)

Příslušenství

	Č. pol. TOPRO
Opěrka zad	814765
Podnos (Pozn.: nikoli pro velikost X)	814728
Protiskluzová podložka k podnosu (Pozn.: nikoli pro velikost X)	814059
Držák berle	815358
Držák na láhev	814043
Stabilizační tyč (velikost M/S)	814729
Stabilizační tyč (velikost X)	814730
Jednoruční brzda	814026
Vodící rukojeť pro zrakově postižené	814014
Zadní taška se zipem (Pozn.: nikoli pro velikost X)	814046
Jmenovka	814024
Systém bránící posunu, pár	814032
Košík na kyslíkovou láhev (pouze stlačený, ne tekutý kyslík)	814009

Příslušenství nainstalované na chodítka může ovlivnit stabilitu; z toho důvodu vám doporučujeme jej používat opatrně. Příslušenství lze objednat samostatně, a přizpůsobit tak TOPRO Troja Walker² individuálním potřebám. Kontaktujte Váš obchod, dodavatele pomůcek pro mobilitu nebo společnost TOPRO, kde vám poskytnou aktualizovaný přehled příslušenství, nebo navštivte naše stránky topromobility.com.

TOPRO forearm walkers are developed, designed and manufactured in Norway by:

TOPRO Industri AS

Rambekkveien 5, NO-2816 Gjøvik, Norway
(+47) 61 13 46 00
info@topromobility.com
www.topromobility.com



Subsidiaries

TOPRO GmbH

Bahnhofstraße 26 d
82256 Fürstentfeldbruck
GERMANY
Tel: +49 (0) 8141 8889 39-0
Fax: +49 (0) 8141 8889 39-22
cs@topro.de
www.topromobility.com

TOPRO GmbH

Zweigniederlassung Stetten
Im Stetterfeld 2
5608 Stetten
SWITZERLAND
Tel: +41 (0) 44 940 36 50
Fax: +41 (0) 44 940 36 51
mail@topro.ch
www.topromobility.com

TOPRO Mobility B.V.

C'park Bata
Europaplein 1
Gebouw 21 – unit 2.17
5684 ZC Best
THE NETHERLANDS
Tel: +31 (0) 6 27 288 801
cs@topromobility.nl
www.topromobility.com

TOPRO Limited

Trent Business centre
Thoroton Rd
West Bridgford
Nottingham
NG2 5FT
UNITED KINGDOM
Tel: +44 (0) 115 846 5406
Fax: +44 (0) 844 739 16 15
info@topro.co.uk
www.topromobility.com

TOPRO Mobility AB

Buskuddsvägen 9
185 95 Vaxholm
SWEDEN
Tel: +46 (0) 8 311 330
info@topromobility.se
www.topromobility.com

TOPRO Mobility DK

Jadevej 11
8541 Skødstrup
DENMARK
Tel +45 (0) 53 763 131
info@topromobility.dk

Distributor / dealer

Learn more



topromobility.com